



# meccalte



# ECO46

MECCALTE spa - Via Roma, 20 - 36051 CREAZZO (VI) ITALIA  
Tel. +39 0444/396111 - Fax +39 0444/396166 - e-mail : info@meccalte.it  
web site: www.meccalte.com

## 6 POLE

### CHARACTERISTICS

#### INDUSTRIAL RATINGS

ambient 40°C

Type	KVA - cos φ 0.8 - 3 Phase continuous							Efficiency		
	CL. H (ΔT= 125°C)				CL. F (ΔT= 105°C)			η % CL. H ( ΔT= 125 °C)		
Series Star Y	760	800	830	IP45 400 V	760	800	830	2/4	3/4	4/4
Parallel Star YY	380	400	415		380	400	415			
Series Delta Δ	440	460	480		440	460	480			
Parallel Delta ΔΔ	220	230	240		220	230	240			
ECO46-1S/6	980	<b>980</b>	980	700	880	<b>880</b>	880	96	96,8	96,5
ECO46-2S/6	1250	<b>1250</b>	1250	900	1125	<b>1125</b>	1125	96,3	97,1	96,8
ECO46-1L/6	1500	<b>1500</b>	1500	1100	1350	<b>1350</b>	1350	96,4	97,3	97
ECO46-2L/6	1700	<b>1700</b>	1700	1200	1500	<b>1500</b>	1500	96,5	97,3	97,1

60 Hz	CL. H (ΔT= 125°C)				CL. F (ΔT= 105°C)			Efficiency		
								η % CL. H (ΔT= 125°C)		
Series Star Y	880	920	960	IP45 480 V	880	920	960	2/4	3/4	4/4
Parallel Star YY	440	460	480		440	460	480			
Series Delta Δ	508	530	554		508	530	554			
Parallel Delta ΔΔ	254	265	277		254	265	277			
ECO46-1S/6	1100	1200	<b>1200</b>	840	1000	1050	<b>1050</b>	96,2	97	96,8
ECO46-2S/6	1400	1500	<b>1500</b>	1080	1250	1350	<b>1350</b>	96,5	97,6	97,3
ECO46-1L/6	1700	1800	<b>1800</b>	1320	1500	1620	<b>1620</b>	96,8	97,8	97,6
ECO46-2L/6	1900	2100	<b>2100</b>	1440	1700	1800	<b>1800</b>	97	97,9	97,7

#### STANDBY RATINGS

Type	KVA Temp. Rise / Ambient °C			KVA Temp. Rise / Ambient °C		
	50 Hz			60 Hz		
	163° / 27°	150° / 40°	125° / 27°	163° / 27°	150° / 40°	125° / 27°
ECO46-1S/6	1060	1020	1020	1270	1225	1225
ECO46-2S/6	1350	1300	1300	1620	1560	1560
ECO46-1L/6	1600	1550	1550	1920	1860	1860
ECO46-2L/6	1800	1860	1860	2160	2230	2230

Type	J (Kgm <sup>2</sup> ) B3-B14 Form	Weight (Kg)	Air Volume				Noise dB(A)			
			50 Hz		60 Hz		50 Hz		60 Hz	
			50 Hz	(m <sup>3</sup> /min)	60 Hz	(m <sup>3</sup> /min)	1m	7m	1m	7m
ECO46-1S/6	42,203	3082	95	120	91	82	93	84		
ECO46-2S/6	50,522	3520								
ECO46-1L/6	57,029	3965								
ECO46-2L/6	65,409	4415								

### ACCESSORIES

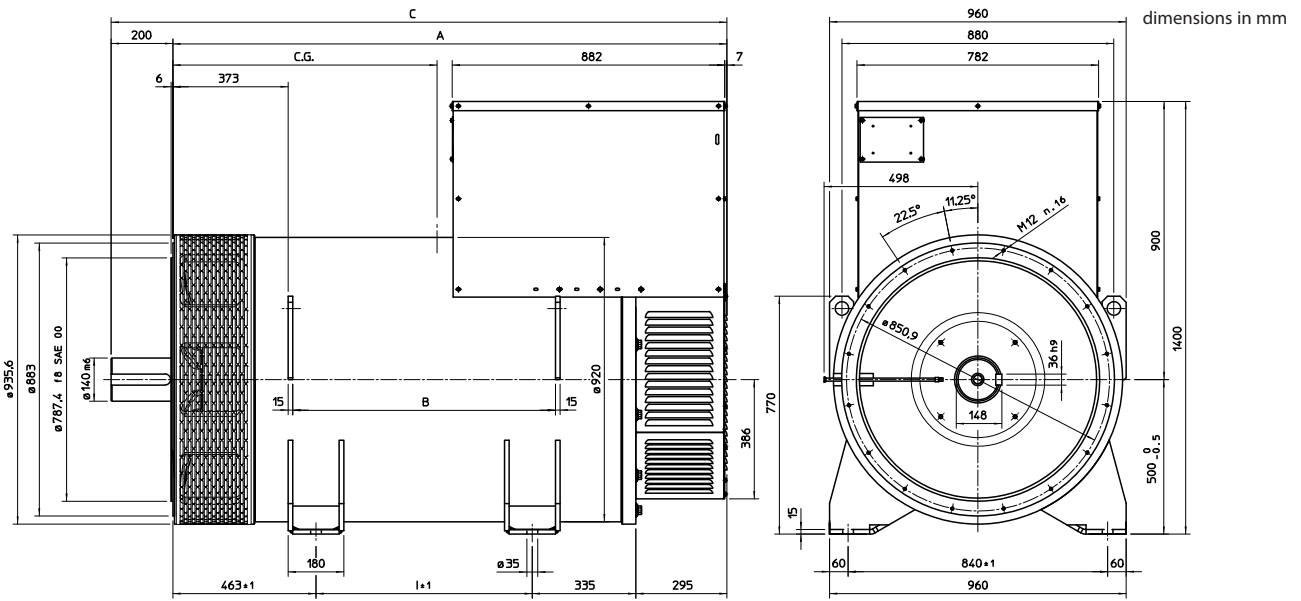
REGULATOR				PARALLEL DEVICE	THERMAL PROTECTION			HEATERS	MECHANICAL PROTECTION		
DSR	DER-1	SR7/2	UVR6		PTC	BIMET. DEVICE	PT100		IP21	IP23	IP45
<input type="checkbox"/>	<input checked="" type="checkbox"/>	<input type="checkbox"/>	<input type="checkbox"/>	<input checked="" type="checkbox"/>	<input type="checkbox"/>	<input type="checkbox"/>	<input type="checkbox"/>	<input type="checkbox"/>	<input checked="" type="checkbox"/>	<input type="checkbox"/>	<input type="checkbox"/>

● = Standard  
□ = Optional

Rating



## OVERALL DIMENSIONS B3-B14 FORM

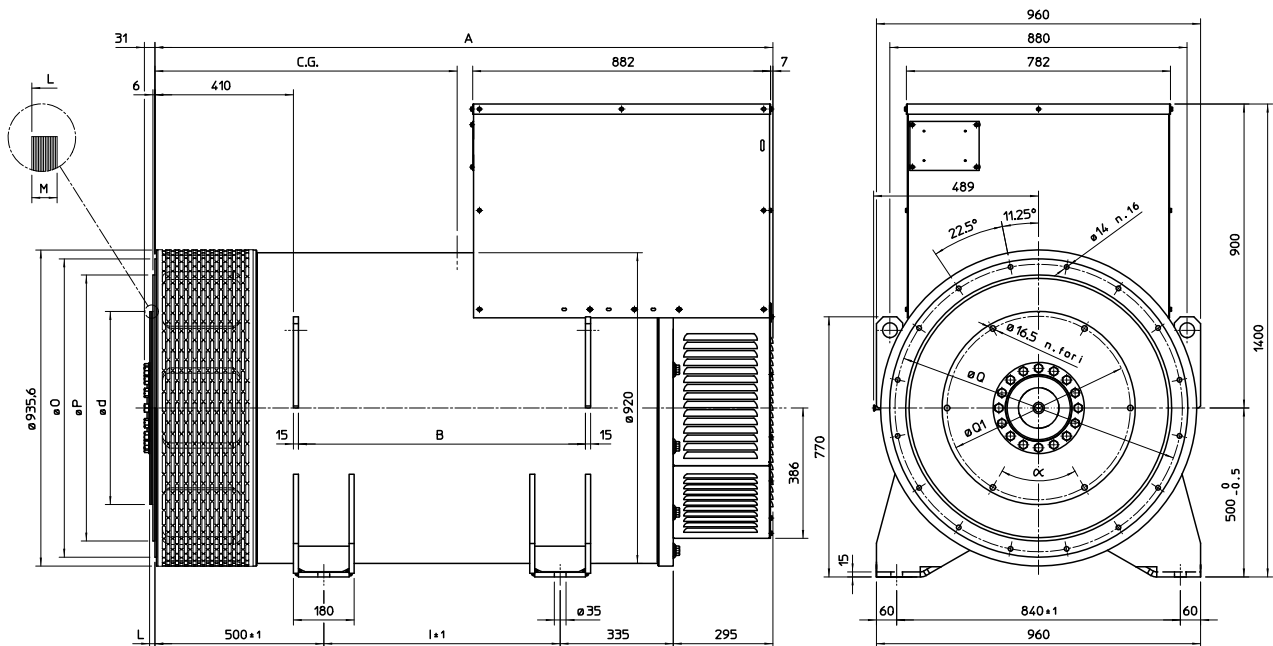


TIPO / TYPE	CG
ECO 46 - 1S/6	690
ECO 46 - 2S/6	715
ECO 46 - 1L/6	855
ECO 46 - 2L/6	885

TYPE	A	B	C	I
ECO 46 - S	1563	620	1763	470
ECO 46 - L	1793	850	1993	700

## OVERALL DIMENSIONS MD35 FORM

dimensions in mm



TIPO / TYPE	CG
ECO 46 - 1S/6	735
ECO 46 - 2S/6	760
ECO 46 - 1L/6	900
ECO 46 - 2L/6	930

SAE N.	GIUNTI A DISCHI DISC COUPLING DISQUE DE MONOPALIER SCHEIBENKUPPLUNG						
	L	d	M	Q1	n. fori	α	
18	15,7	571,5	15	542,92	6	60°	
21	0	673,1	17	641,35	12	30°	

TYPE	A	B	I
ECO 46 - S	1600	620	470
ECO 46 - L	1830	850	700

SAE N.	FLANGIA FLANGE BRIDE FLANSCH BRIDAS		
	O	P	Q
00	883	787,4	850,9
0	711	647,7	679,5