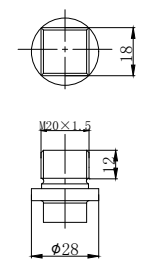
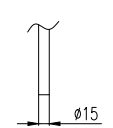


⑬ 放油螺塞
Drain plug



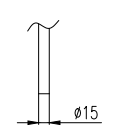
⑩ 燃油进油口
Fuel inlet

接内径 $\phi 15$ 油管
Connected to oil pipe
with inner diameter $\phi 9$

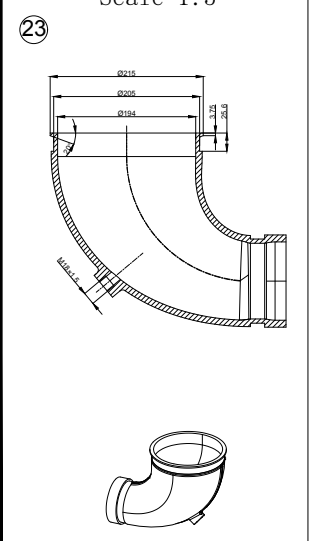


⑨ 燃油回油口
Fuel return

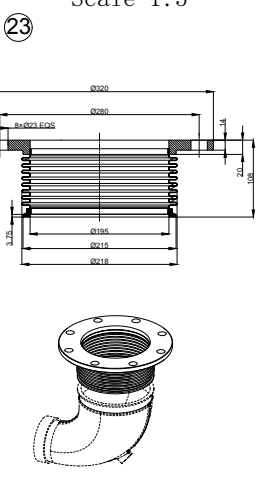
接内径 $\phi 15$ 油管
Connected to oil pipe
with inner diameter $\phi 10$



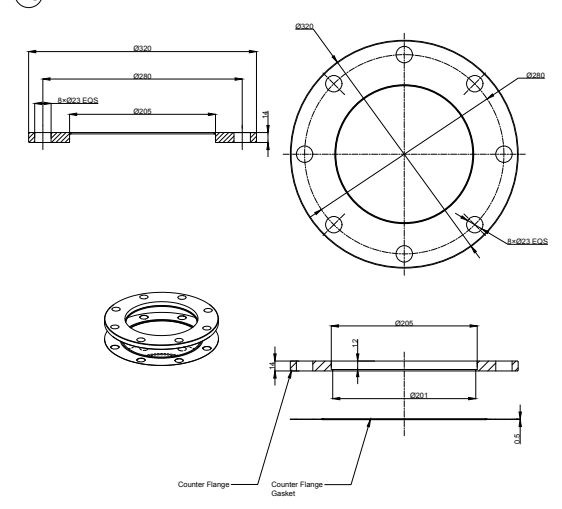
Detail of Exhaust Air
Outlet Flange
Scale 1:5



Detail of Exhaust
Bellow — Option
Scale 1:5



Detail of Exhaust Flange
and Counter Flange —
Standard from Q2/2019
Scale 1:5



主要的外部接口尺寸

特别声明
NOTICE

1. 图纸修改不另行通知，请在使用前与我们确认。
This drawing can be subject to modification without notice, Please consult us before using.
2. 此图纸归潍柴所有，未经允许不得复印、使用或传阅。
This drawing belongs to Weichai, and shall not be copied, used or circulated without permission.
3. 外观尺寸、重量仅供参考。
The appearance size and weight are for reference only.

| | | | | | |
|-----------------|----------------------------|------------------|-----------------|--------------------|--------------------------|
| 23 | 油尺 | | 22 | 机油加注口 | |
| 21 | Dipstick | | 22 | Oil filler cap | |
| 19 | 冷却液温度传感器 | | 20 | 冷却液加注口 | |
| 19 | Coolant temperature sensor | | 20 | Coolant filler cap | |
| 17 | 拆卸螺塞 | | 18 | 开关盒 | |
| 17 | Anchor bolt hole | | 18 | Switch box | |
| 15 | 机油滤清器 | | 16 | 转速传感器 | |
| 15 | Oil filter | | 16 | Speed sensor | |
| 13 | 放油螺塞 | | 14 | 起动机 | |
| 13 | Drain plug | | 14 | Starter | |
| 11 | 燃油滤清器 | | 12 | 蓄电池 | |
| 11 | Fuel filter | | 12 | Battery | |
| 9 | 燃油回油口 | | 10 | 燃油进油口 | |
| 9 | Fuel return | | 10 | Fuel inlet | |
| 7 | 充电发电机 | | 8 | 散热器 | |
| 7 | Charging generator | | 8 | Radiator | |
| 5 | 排气口 | | 6 | 节温器 | |
| 5 | Exhaust Tail Pipe | | 6 | Thermostat | |
| 3 | 机油压力传感器 | | 4 | 放水口 | |
| 3 | Oil pressure sensor | | 4 | Water outlet | |
| 1 | 控制屏 | | 2 | 空气滤清器 | |
| 1 | Control panel | | 2 | Air filter | |
| 序号 Index | 名称 Name | 序号 Index | 名称 Name | | |
| 名称Name | | 图号Drawing No. | | | |
| 名称Name | | P00000384006 | | | |
| 标记 Sign | 次数 Amount | 更改文件 Document | 签字 Signature | 日期 Date | 重量/Weight |
| 设计/绘图 | | | | | 状态/State |
| 质量 Quality | | | | | 幅面/Format |
| 校对 Corrected | | | | | 重量/Weight |
| 审核 Examined | | | | | 日期/Date |
| 设计/绘图 | | | | | 比例/Scale 1:1 |
| 质量 Quality | | | | | 投影法 Projection Method |
| 校对 Corrected | | | | | 材料Material |
| 审核 Examined | | | | | 日期/Date |

