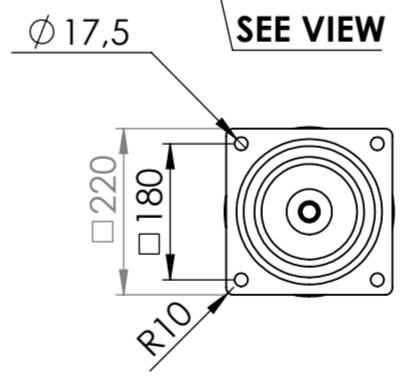
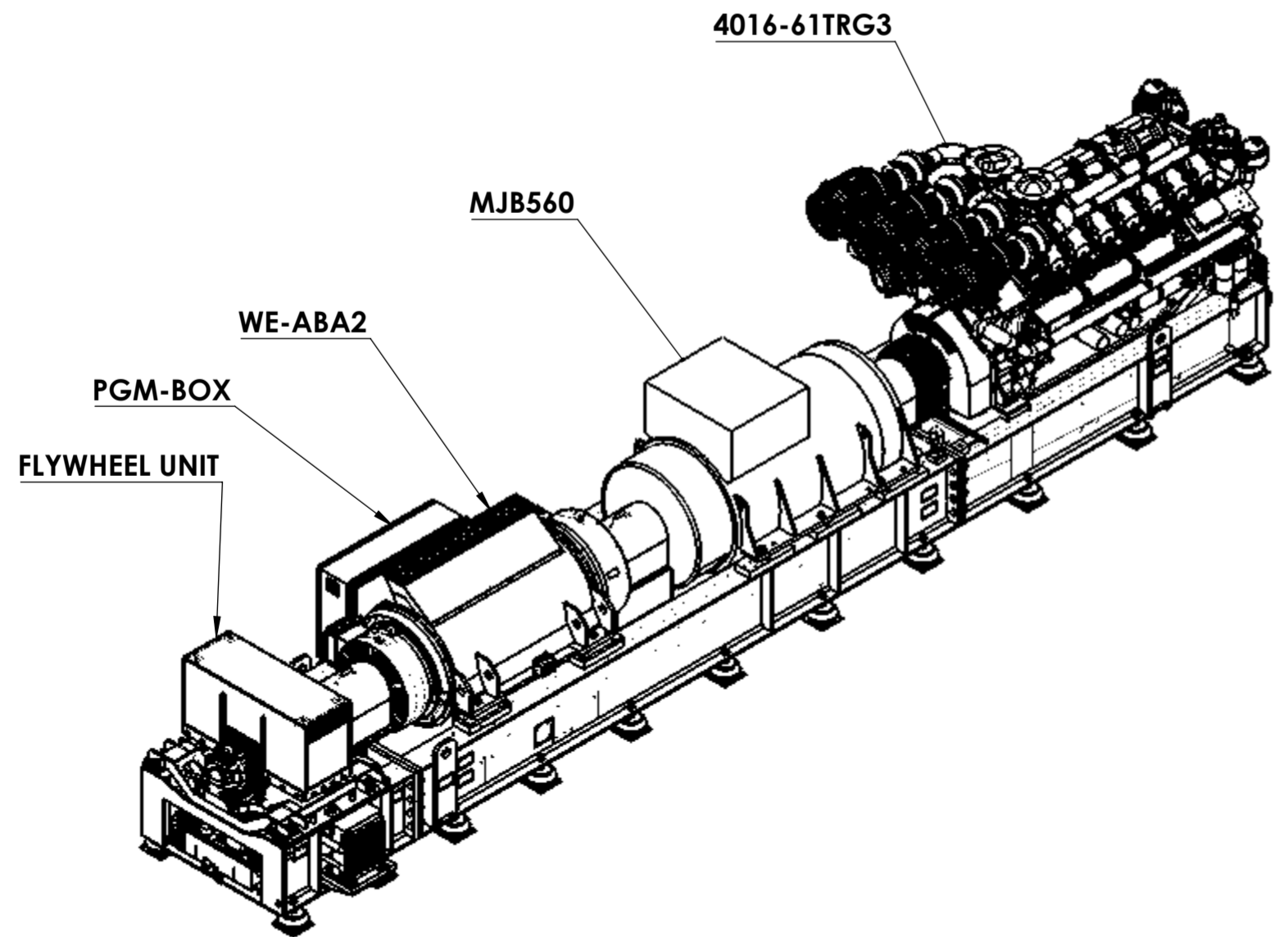
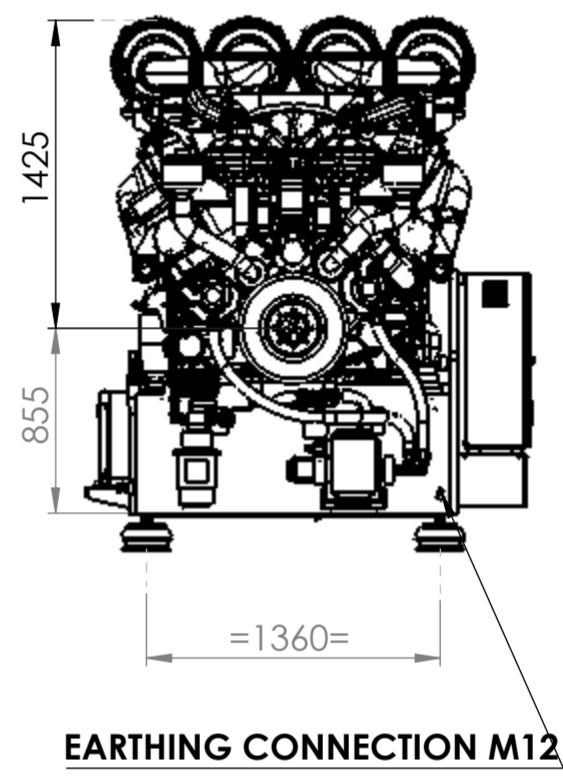
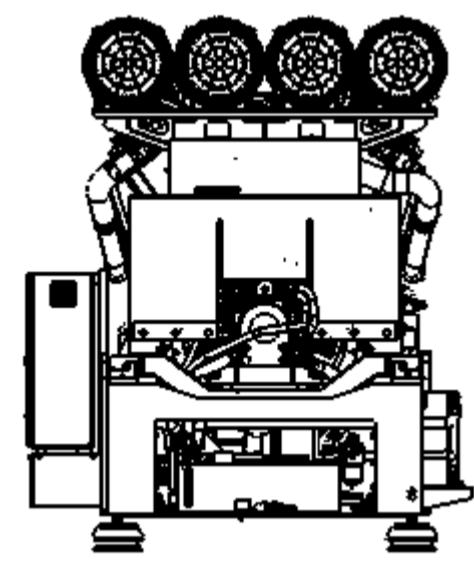
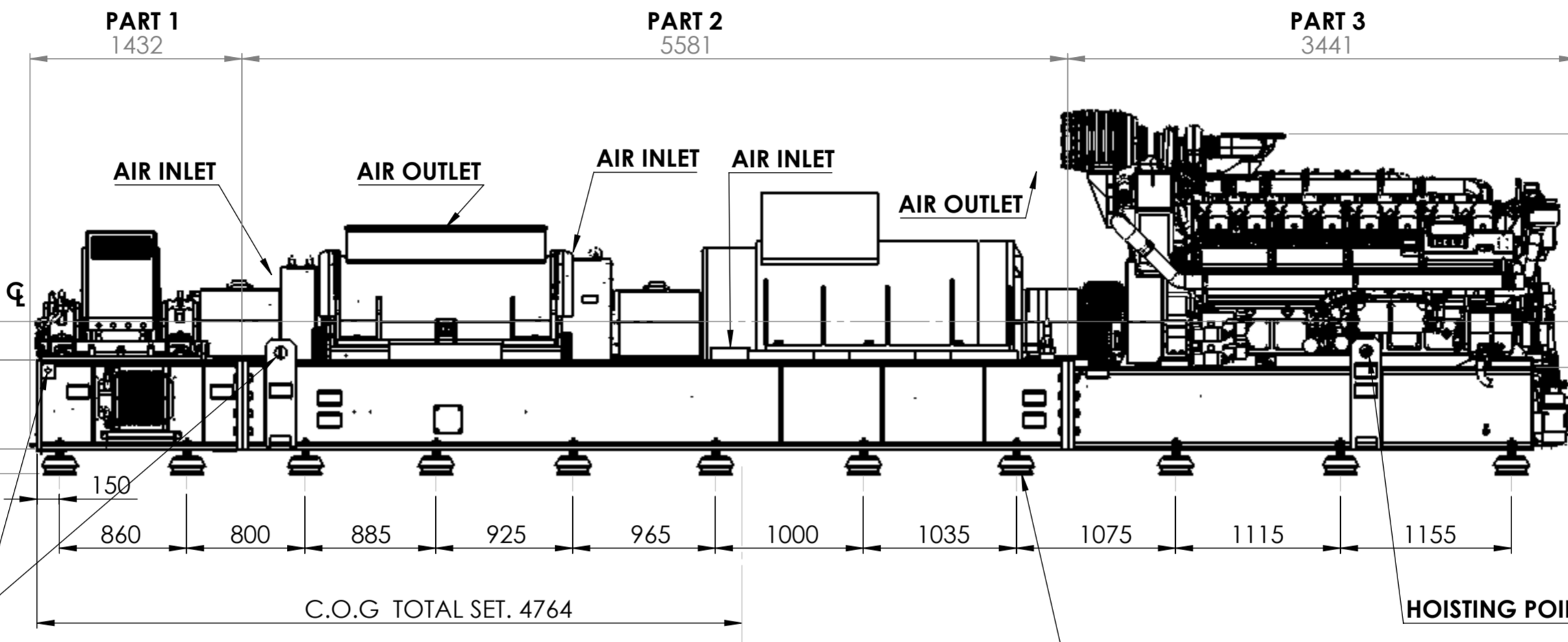


REMARK:
INSTALLATION DETAILS DIESEL ENGINE
SEE MANUFACTURE DRAWINGS.



WEIGHT PART.1 APPROX: 5230 KG
 WEIGHT PART.2 APPROX:13992 KG
 WEIGHT PART.3 APPROX: 7788 KG
 WEIGHT TOTAL SET APPROX: 27010 KG

UNLESS OTHERWISE SPECIFIED: DIMENSIONS ARE IN MILLIMETERS TOLERANCES: LINEAR/ ANGULAR:		ISO2768-1M	DO NOT SCALE DRAWING	REFERENCE: 400MM 16KN/WE-ABA2/MJB560/4016-61TRG3	REVISION 0
FINISH:	DEBUR AND BREAK SHARP EDGES			TITLE: QPS POWER MODULE ASSEMBLY	A2
DRAWN: CHK'D:	NAME E.Lohn K.Mulder	SIGNATURE DATE		PROJECT: DWG NO. 5527003	
WEIGHT:			SCALE:1:35	SHEET 1 OF 1	