

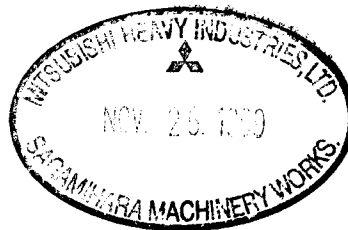
SPECIFICATIONS

MITSUBISHI HIGH SPEED DIESEL ENGINE
MODEL MITSUBISHI S6S-DT65SG

For MEE

(GENERATOR)

**FOR REFERENCE
ONLY**



DATE Mar. 3.1999

MITSUBISHI HEAVY INDUSTRIES, LTD.

1	管OEM
1	E保
1	小E作
4	MEE
1	控
8	計

CHG	DATE	APPROVED	CHECKED	DRAWN
		<i>O. Kato</i>	<i>N. Katayama</i>	T.Hirose
<small>△</small>	1999.Nov.18		<i>Y. Matsumaru</i>	

1. Principal Particulars of Diesel Engine

Standard	All items, unless otherwise specified, are in accordance with JIS and maker's standards
Model	Mitsubishi S6S-DT (MHI No. 32B00-06830)
Type	4 cycle water-cooled, vertical overhead valve, cylinder in line, direct injection type
Number of cylinders	6
Bore × Stroke	94mm × 120mm
Piston displacement	4.996 liters
Compression ratio	17:1
Rotation	Anti-Clockwise rotation as viewed from flywheel side
Firing order	1-5-3-6-2-4
Output(ISO 3046,With Fan)	St-by ; 59.6kW(81PS)/1500rpm
Total barometric pressure:100kpa	Prime ; 54.1kW(73.5PS)/1500rpm
Air tempetature:298K	
Relative humidity:30%	
Engine weight(Dry)	Approx. 355kgf
Dimensions(Length)	Approx. 1033mm
(Width)	Approx. 626mm
(Height)	Approx. 896mm
Fuel	ASTM diesel fuel oil No.2-D(JIS K2204 gas oil specification No.2 or 3)
Lubricating oil	API classification service CD class SAE No.30

Fuel consumption	Approx. 218g/kW · h(160g/PS · h) at standard air conditions
Oil consumption	Within 2.7g/kW · h(2.0g/PS · h)
Fuel injection timing	19° BTDC
Idling engine speed	1000 ± 20rpm
Speed regulation	Steady state speed regulation at rated speed, within 5%
Mean effective pressure	0.86MPa(8.8kgf/cm ²)
Piston speed	6m/s at 1500rpm
Fuel injection pump	In-Line type
Fuel injection nozzle	Multi-Hole type
Fuel filter	Filtering paper type
Lubricating system	Forced lubrication by trochoid gear pump
Lubricating oil filter	Filtering paper type, full flow
Oil pressure	0.19~0.39MPa(2~4kgf/cm ²) at duty run 0.1MPa(1.0kgf/cm ²) min. at low idling
Oil capacity	12 liters (Oil pan 11 liters, high level, Oil filter etc. 1 liters)
Cooling system	Forced circulation of fresh water by centrifugal pump with thermostat
Engine water capacity	Approx. 8 liters

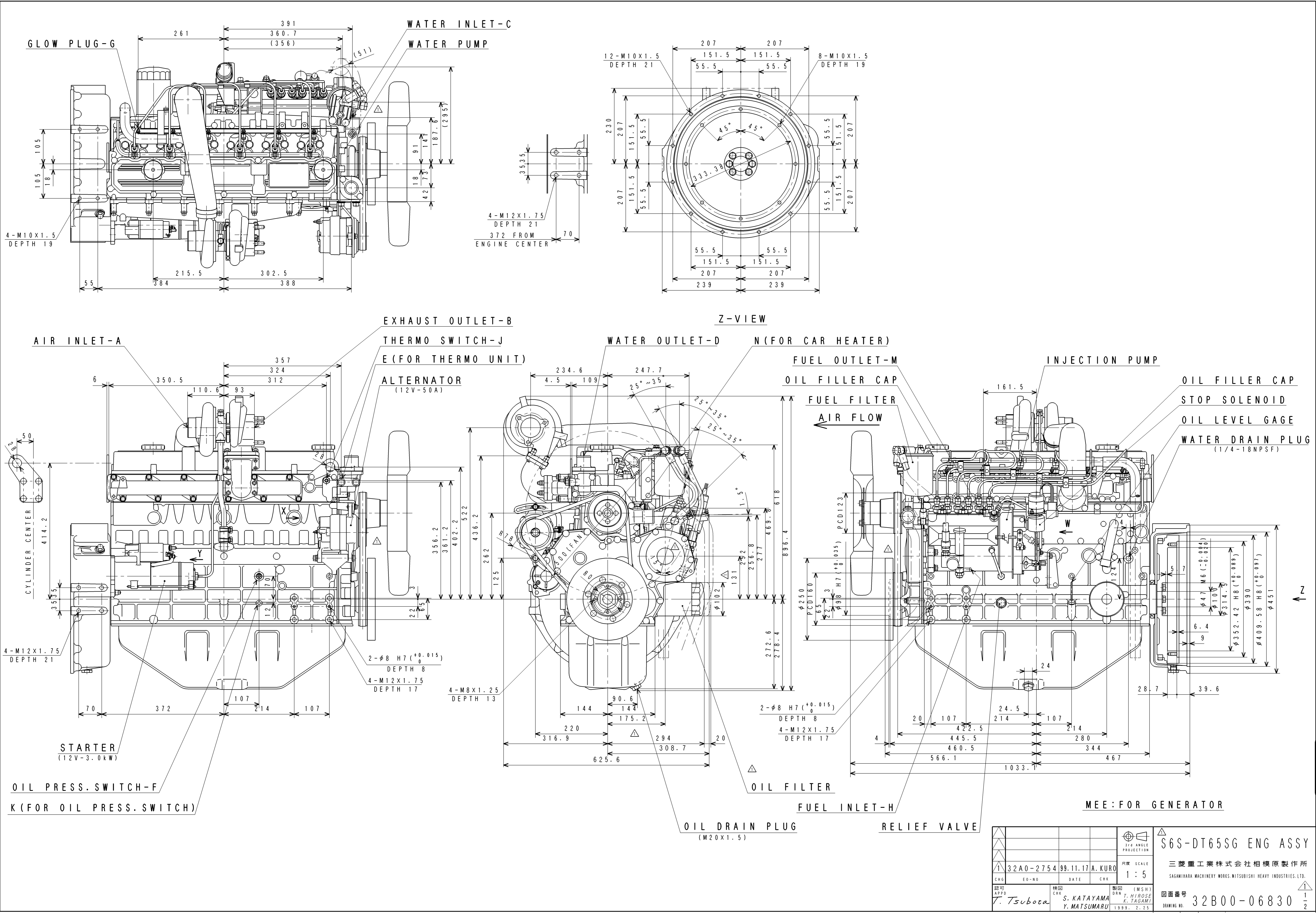
Alternator	12V - 50A
Voltage regulator	IC type (Built in alternator)
Starting system	Electric starting, Starting moter 12V-3.0kW, With heater plugs
Recommendatory Exhaust Back Pressure	Max 4kPa(30mm mercury)
Recommendatory Air Intake Resistance	0.98~1.96kPa(100~200mm water) (Initial stage)
Turbocharger	TE06H
Oil cooler	Plate type
Engine color	Black

<Remarks>

- ①with Fan (ϕ 500 Pusher, pulley ratio 1.3)
- ②
- ③with Switch,Thermo (MC880900 ... 1)
- ④with Switch,Oil Press. (MC840219 ... 1)

2. Accessories (Loose Supply)

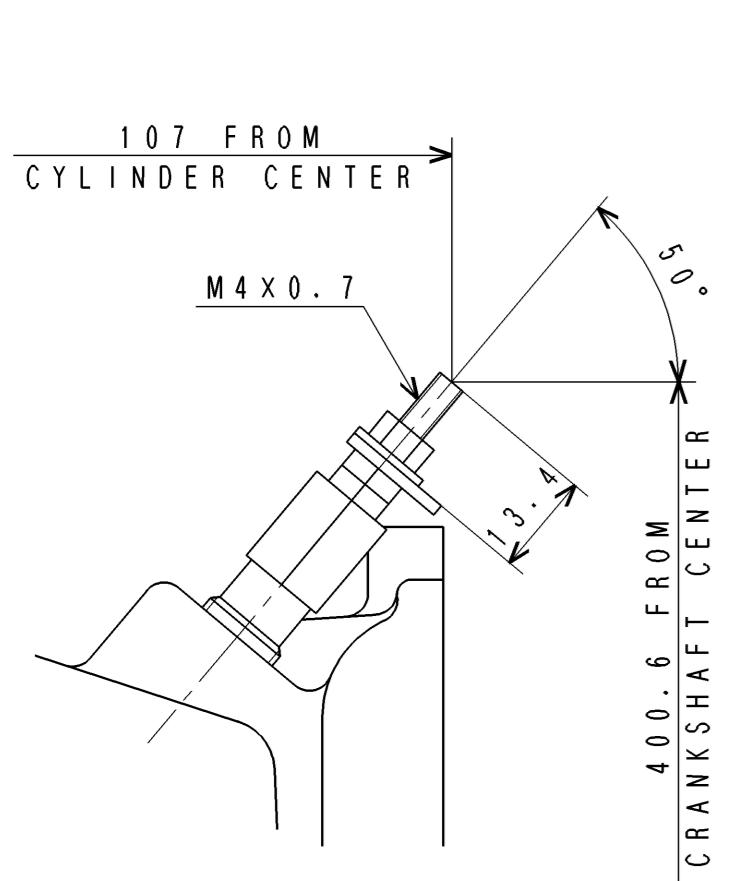
	Parts Name	Parts No.	Q' ty	Remarks
1	SWITCH,OIL PRESSURE	MC840-219	1	Attached To Engine
2	SWITCH,THERMO	MC880-900	1	
3	STOP SOLENOID	32A87-06010	1	
△ 4				
△ 5				
△ 6				
△ 7				
△ 8				
△ 9				
△ 10				



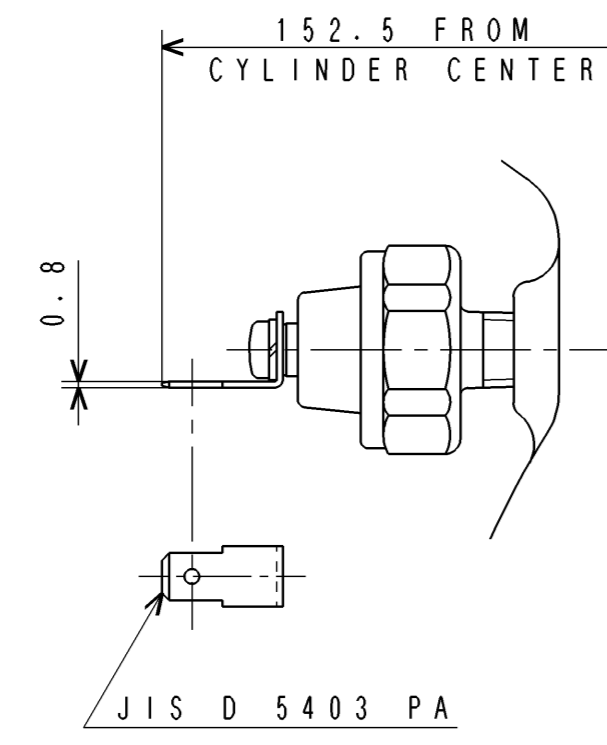
旧 51
相 製
1999
11.30

FULL-CAO

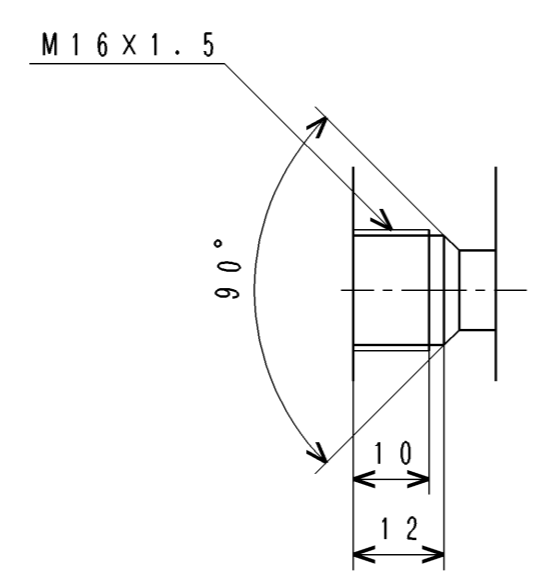
				S6S-DT65SG ENG ASSY			
1 32A0-2754 99.11.17 A. KURO				三菱重工業株式会社 相模原製作所 SAGAMIHARA MACHINERY WORKS, MITSUBISHI HEAVY INDUSTRIES, LTD.			
CHG	EO-NO	DATE	CHK	尺 寸 尺 寸 尺 寸 尺 寸 1 : 5			
認 可 APPD	検 査 CHK	製 図 DRN	製 図 CHK	製 図 (CM SH) H. HIRASE K. TAGAMI 1999. 2. 25			
T. Tsubota S. KATAYAMA Y. MATSUMARU				図 面 番 号 32B00-06830			
3 新 図 1 1 2 替 換 部 品 3 概 念 図 示 品 4 組 立 品 ① 旧 51 図 1 5 切 削 品 6 其 他 (購 入 品)				1 2 3 4 5 6			



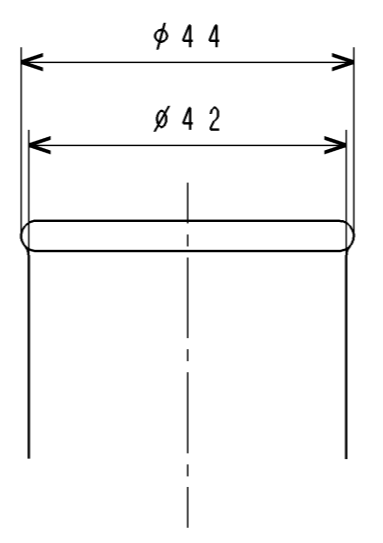
G-DETAIL



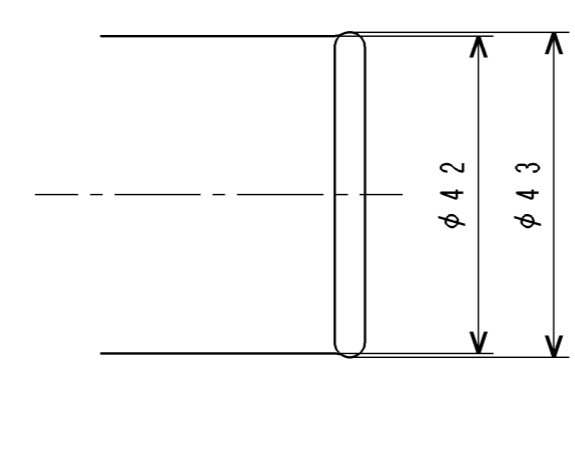
F-DETAIL



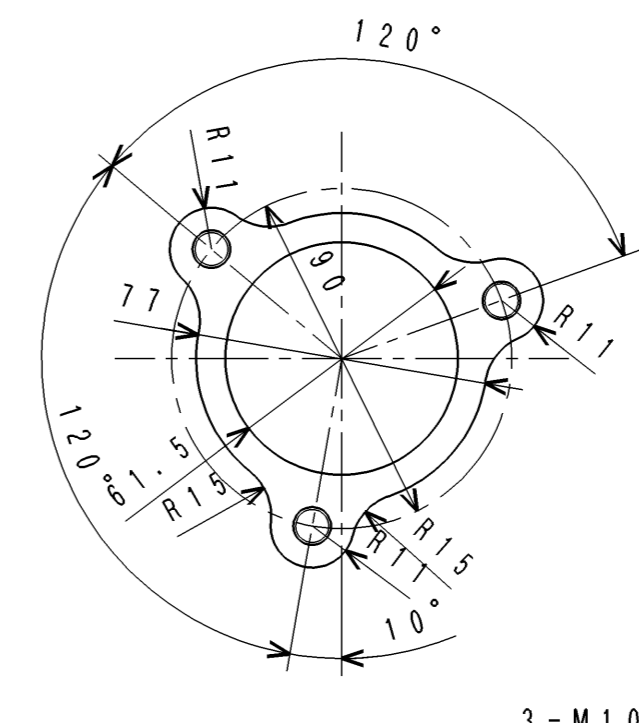
E-DETAIL



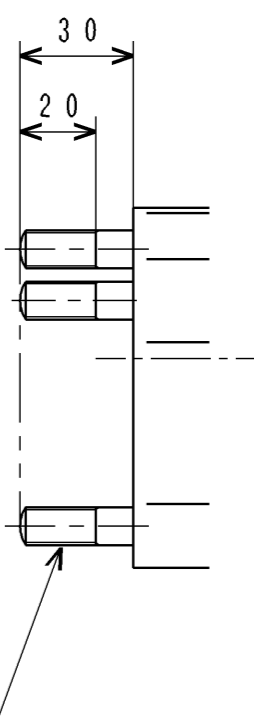
D-DETAIL



C-DETAIL

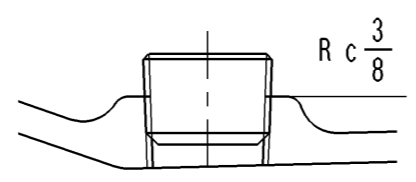


B-DETAIL (1:2)

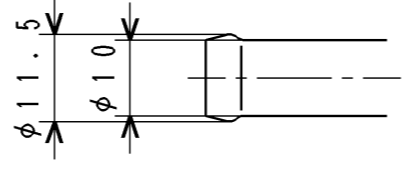


A-DETAIL (1:2)

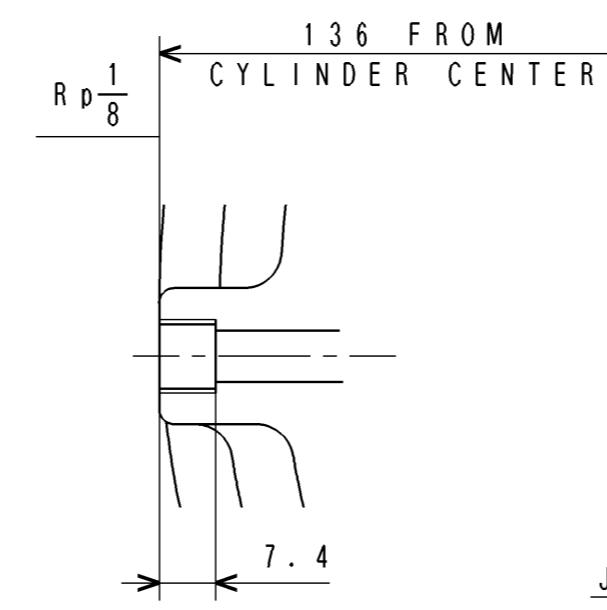
△



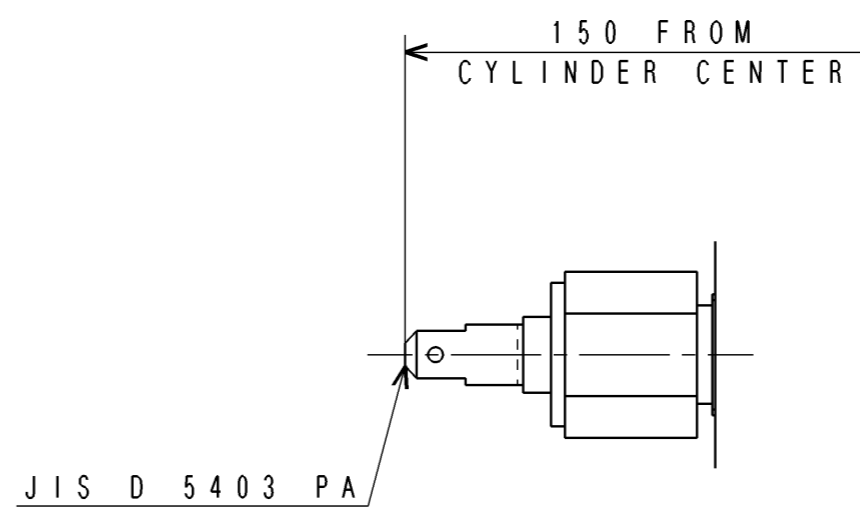
N-DETAIL



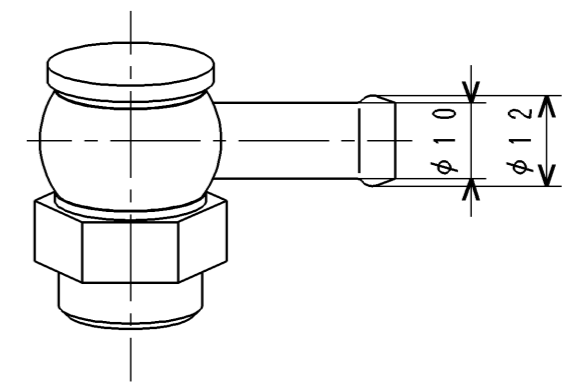
M-DETAIL



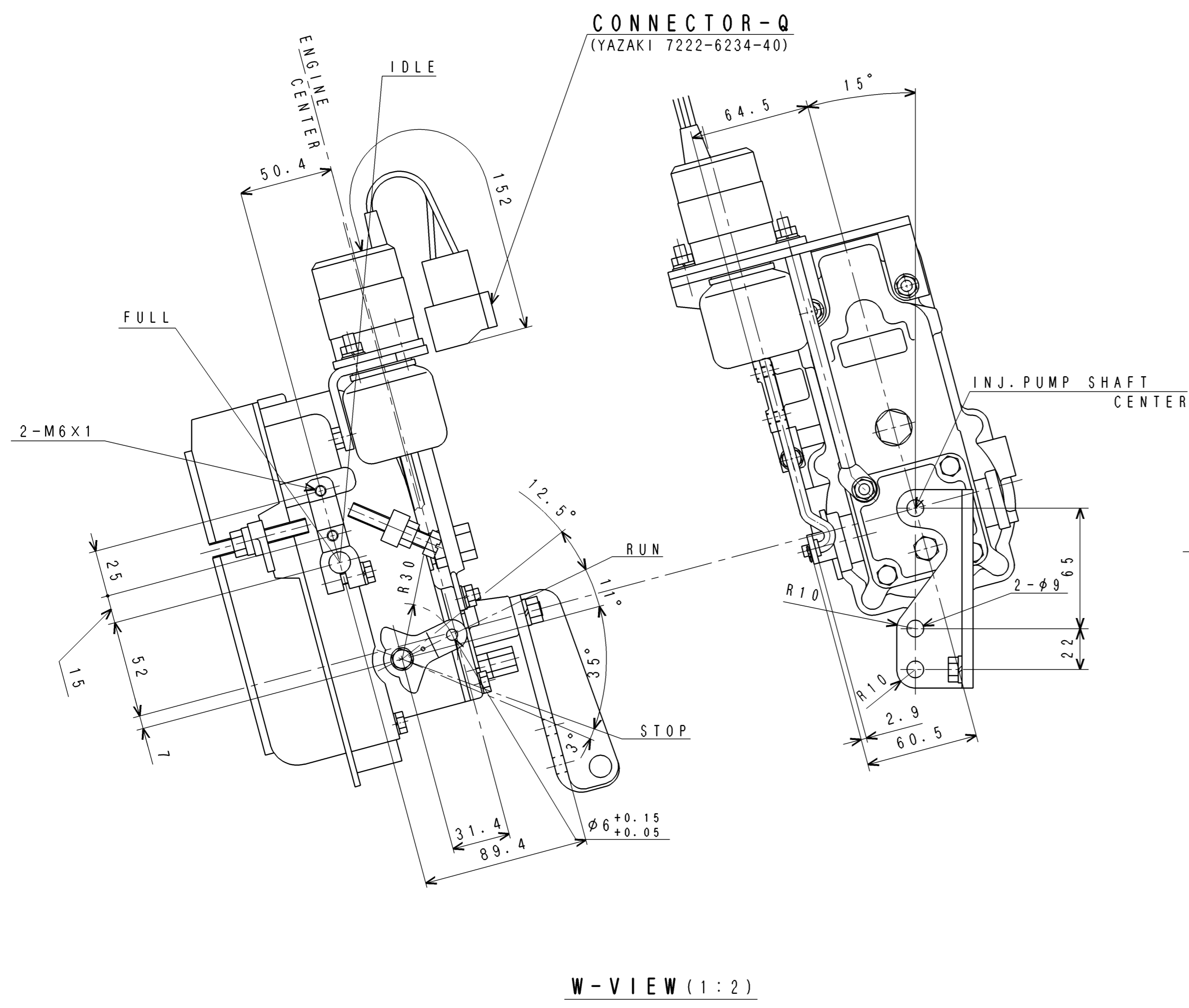
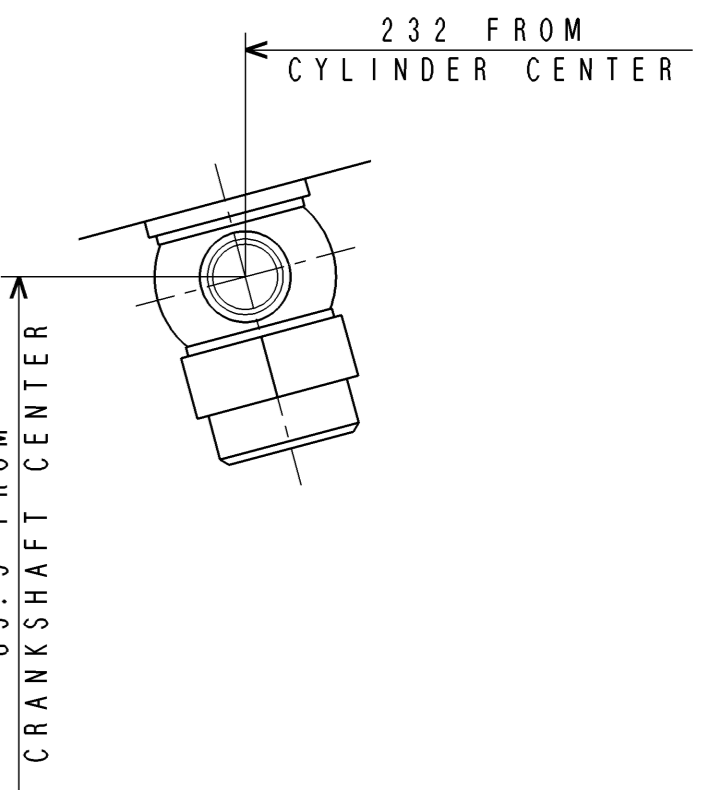
K-DETAIL



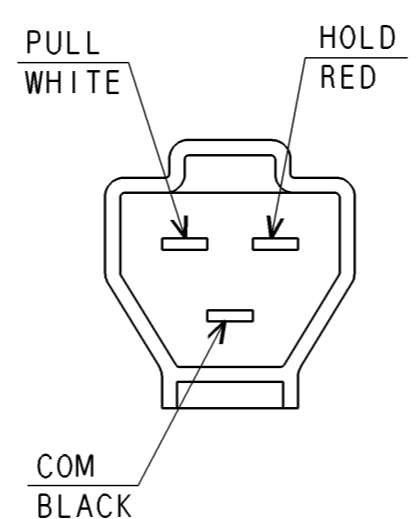
J-DETAIL



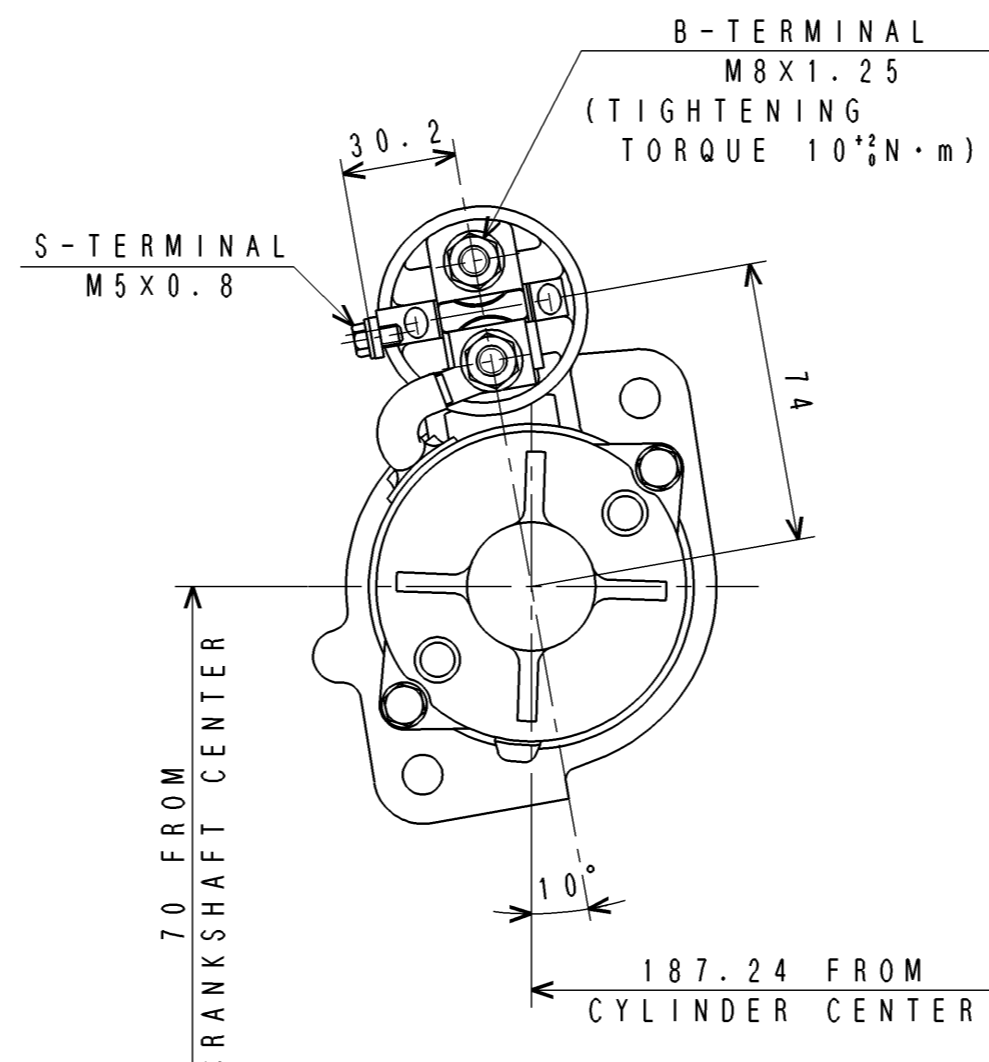
H-DETAIL



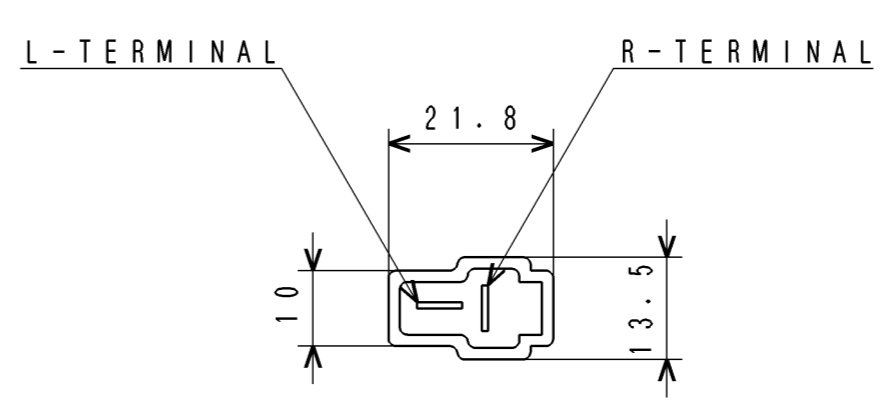
W-VIEW (1:2)



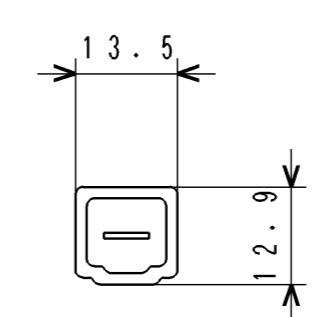
Q-DETAIL



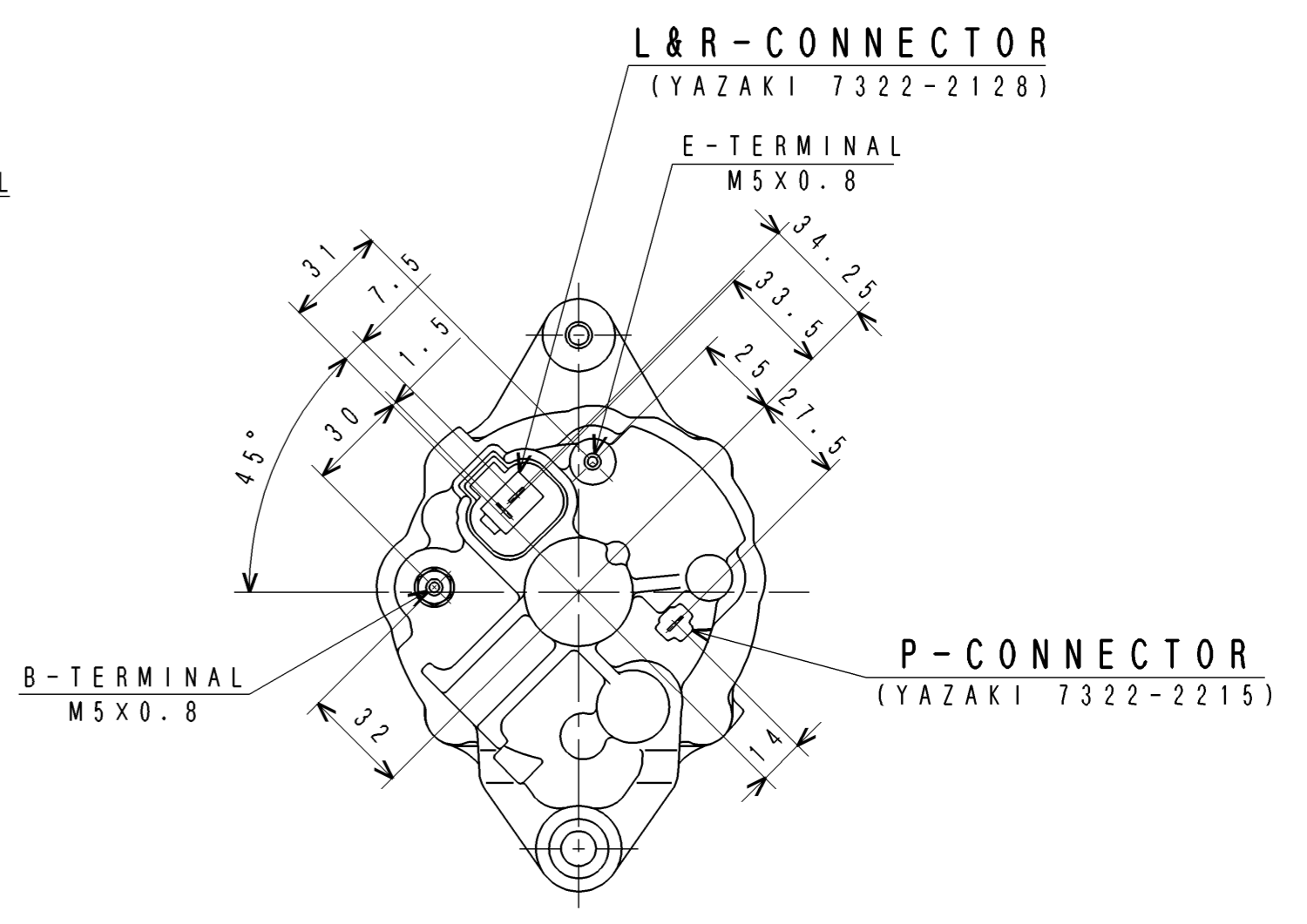
Y-VIEW (1:2)



L&R-DETAIL



P-DETAIL



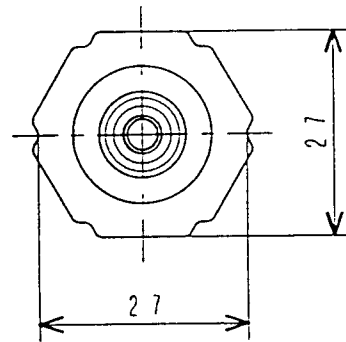
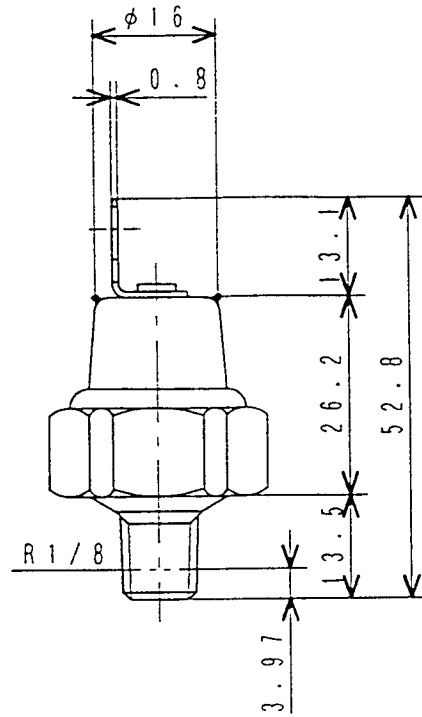
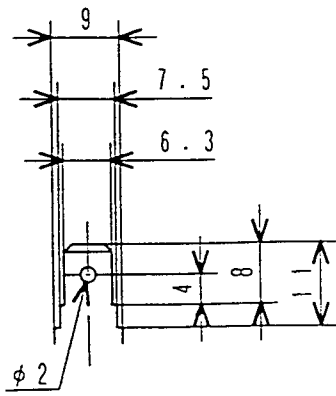
X-VIEW (1:2)

MEE: FOR GENERATOR

32A0-2754		99.11.17		A. KURO		37° ANGLE PROJECTION		S6S-DT65SG ENG ASSY	
CHG		EO-NO		DATE		CHK		三菱重工業株式会社相模原製作所	
SAGAMIHARA MACHINERY WORKS, MITSUBISHI HEAVY INDUSTRIES, LTD.		SCALE		1:1		1:1		SAGAMIHARA MACHINERY WORKS, MITSUBISHI HEAVY INDUSTRIES, LTD.	
APPRO		CHK		DATE		DATE		図面番号 32B00-06830	
T. Tsubota		S. KATAYAMA		Y. MATSUMARU		1999. 2. 25		DRAWING NO. 32B00-06830	
1		2		3		4		5	
1		2		3		4		5	

旧 31
相製
1999
11.30

FULL-CAO

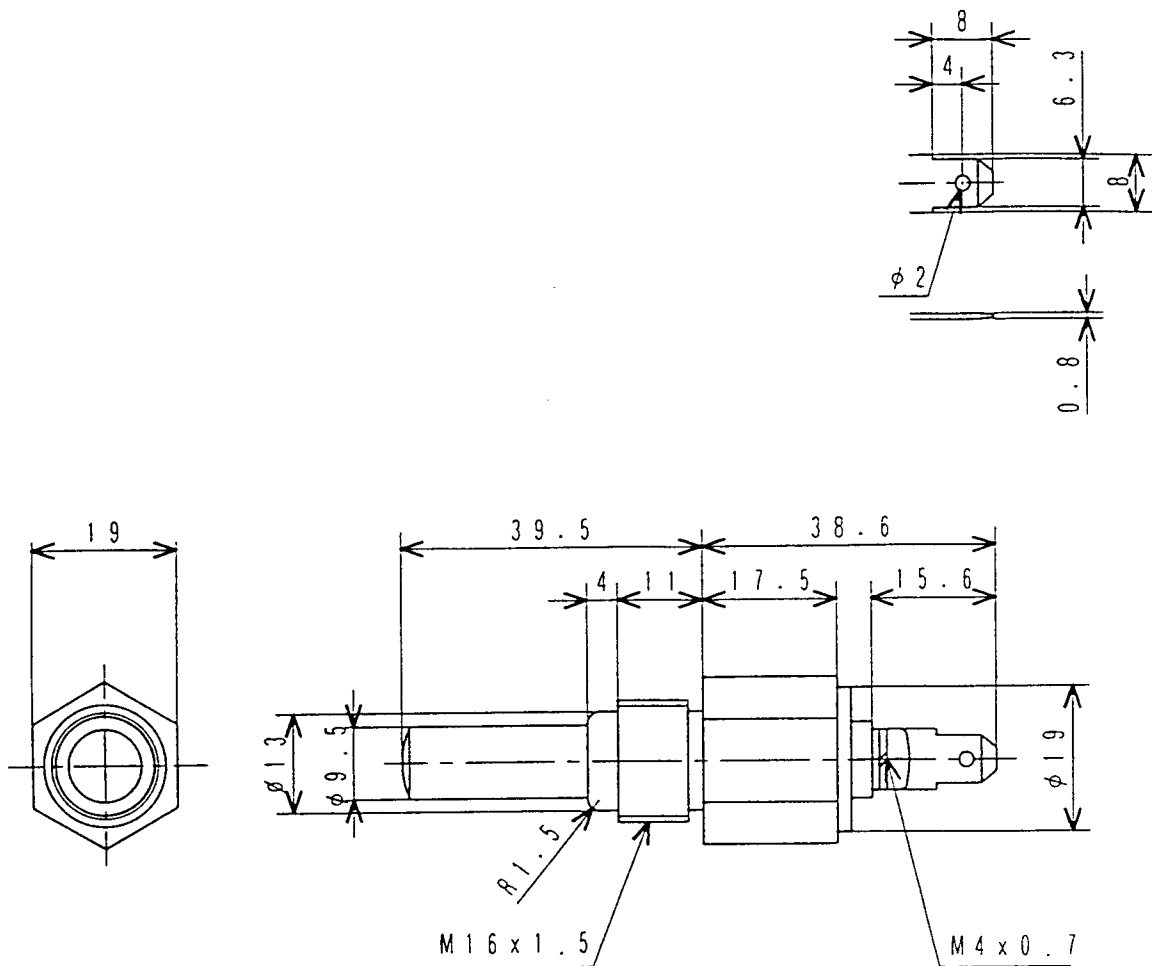


仕様
SPECIFICATIONS

作動圧力 OPERATING PRESS.	49 kPa (0.5 kgf/cm ²)
作動電圧 OPERATING VOLT.	12V-5W 24V-5W

オイルプレッシャスイッチ
SWITCH, OIL PRESSURE

MC840-219

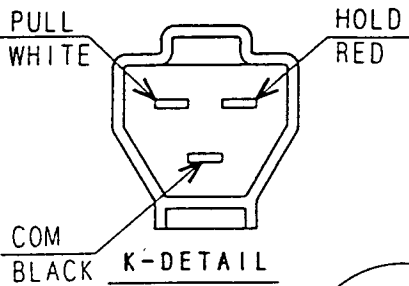


部品番号 PART No.	作動温度 OPERATING TEMP.		
→ MC880-900	温度下降時 DECREASE	$\leq 100^{\circ}\text{C} \pm 4^{\circ}\text{C}$	で接点開 OPEN
	温度上昇時 RISE	$\geq 100^{\circ}\text{C} \pm 2^{\circ}\text{C}$	で接点閉 CLOSE
MC880-901	温度下降時 DECREASE	$\leq 105^{\circ}\text{C} \pm 4^{\circ}\text{C}$	で接点開 OPEN
	温度上昇時 RISE	$\geq 105^{\circ}\text{C} \pm 2^{\circ}\text{C}$	で接点閉 CLOSE

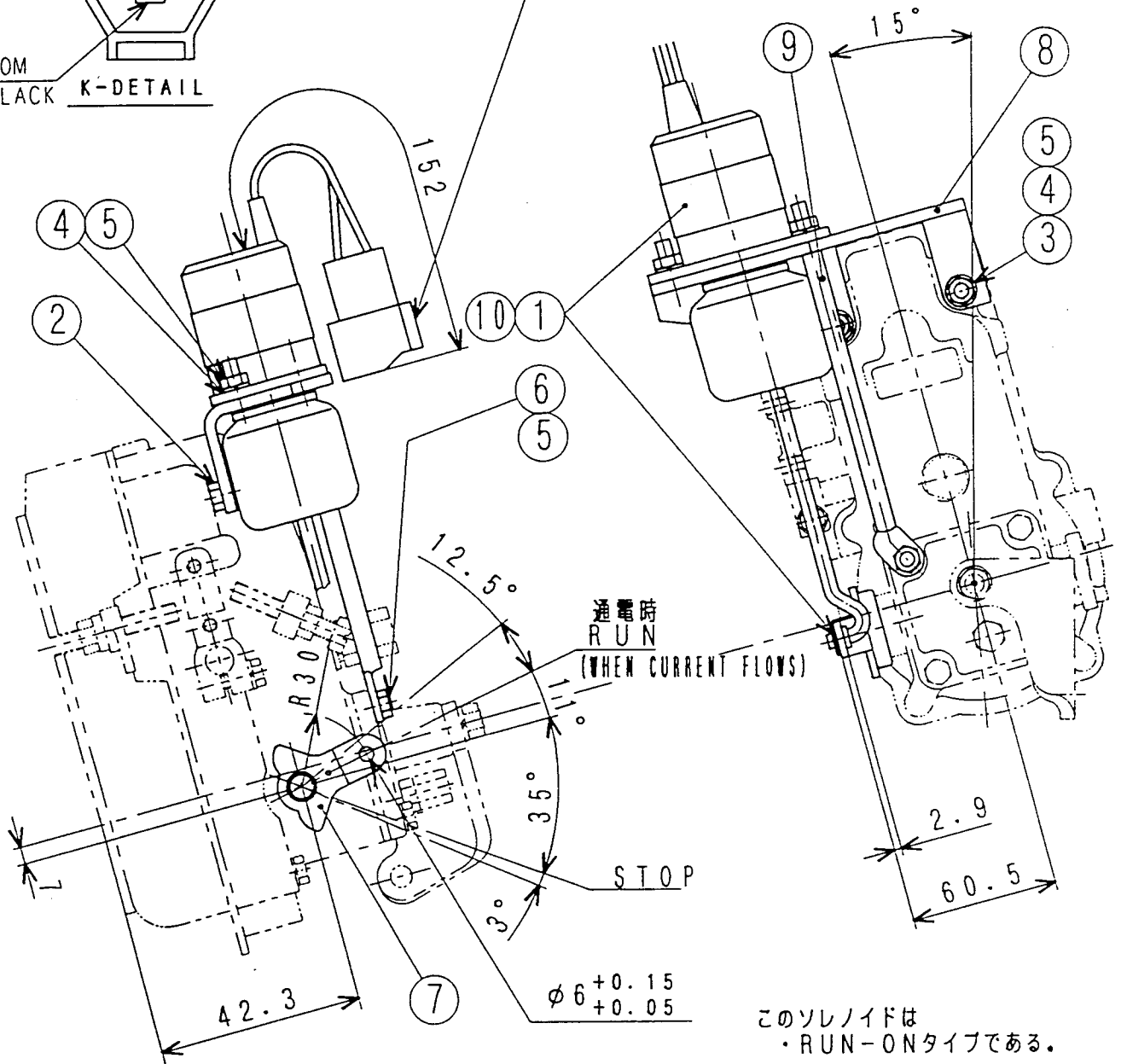
定格負荷 RATED LOADED	1A以上 MIN.	0.5A以上 MIN.
定格電圧 RATED VOLT.	12V	24V

サーモスイッチ
SWITCH, THERMO

MC880-900



CONNECTOR-K
(YAZAKI 7222-6234-40)



このソレノイドは
・RUN-ONタイプである。

THIS SOLENOID
IS A RUN-ON TYPE

仕様
SPECIFICATIONS

	32A87-06010	32A87-06020		
10	32A87-07020	SOLENOID ASSY(24V)	1	
9	32A87-05400	ROD, SUPPORT	1	
8	32A87-05300	BRACKET	1	
7	32A87-05700	LEVER, STOP	1	
6	32A87-05600	STUD	1	
5	F2300-06000	NUT	5	
4	F2515-06000	WASHER, SPRING	4	
3	F2500-06000	WASHER, PLAIN	2	
2	34287-02602	STUD	2	
1	32A87-07010	SOLENOID ASSY(12V)	1	
SYM	PART No.	PART NAME	QTY	QTY

部品番号 PART No.	32A87-06010	32A87-06020
定格電圧 RATED VOLTAGE	12V	24V
作動温度 OPERATING TEMPERATURE	-30° ~ 90° C	
吸引電流 PULL COIL CURRENT	55A(at 20°C)	29A(at 20°C)
保持電流 HOLD COIL CURRENT	1.1A(at 20°C)	0.6A(at 20°C)

ストップソレノイド
STOP SOLENOID KIT(ETR)

32A87-06010