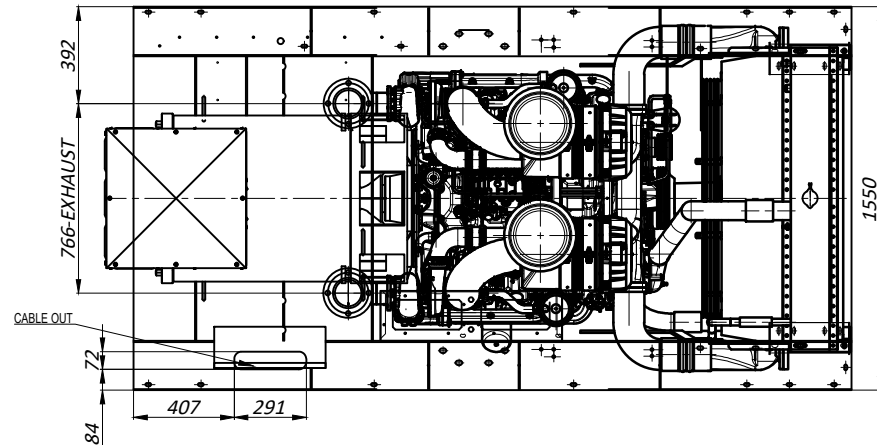


EXHAUST FLANGE DETAIL  
SCALE : 1 / 3



DAILY FUEL TANK IS INTEGRATED  
WITH THE BASEFRAME : 700 L .

BASEFRAME COLOR CODE : RAL 9005

**COPYRIGHT RESERVED ©**  
THE DESIGN AND DETAIL OF THIS DRAWING IS THE PROPERTY OF AKSA POWER GENERATION AND MUST BE RETURNED ON DEMAND. IT IS ISSUED ON THE STRICT CONDITION THAT WITHOUT WRITTEN PERMISSION IT MUST NOT BE REPRODUCED, COPIED OR COMMUNICATED TO ANY THIRD PARTY NOR BE USED FOR ANY PURPOSE OTHER THAN THAT STATED IN THE PARTICULAR ENQUIRY, ORDER OR CONTRACT WITH WHICH IT IS ISSUED THE RESERVATION OF COPYRIGHT IN THIS DOCUMENT EXTENDS FROM EACH DATE APPEARING THERE ON AND IN RESPECT OF THE SUBJECT MATTER AS IT APPEARED AT THE RELEVANT DATE.

ORDER CODE: -		SCALE: -			MATERIAL: ST37-2	QUANTITY: 1	WEIGHT~: Kg
		2021	DATE	NAME	SIGNATURE		
					PART NAME: AD580 OPEN GENSET		
		DRAWN BY	03.06	F.KARAKURT			
		CHECKED BY	03.06	O.KARAER			
		APPROVED BY	03.06	E.A.SARAL			
		DEPARTMENT: ENGINEERING					
		<b>AKSA POWER GENERATION</b>					
A		MULTIPLE REVISIONS	03.06.2021	F.K	USED FOR: DOOSAN DP 158 LD MECCALTE ECO 40 1L/4B		
SIGN		VARIATION	DATE	NAME	PART NO.:	LOCATION: TURKEY	A4 PAGE 1/1
					DRAWING NO.: AD580-MS70-M		
					REVISION NO.:3	ONLY ENGINEERING DEPT. OF AKSA CORP. HAS RIGHT TO KEEP AND MODIFY IT. IT CAN NOT BE SUPPLIED OR COPIED TO THE 3TH ORGANIZATION.	