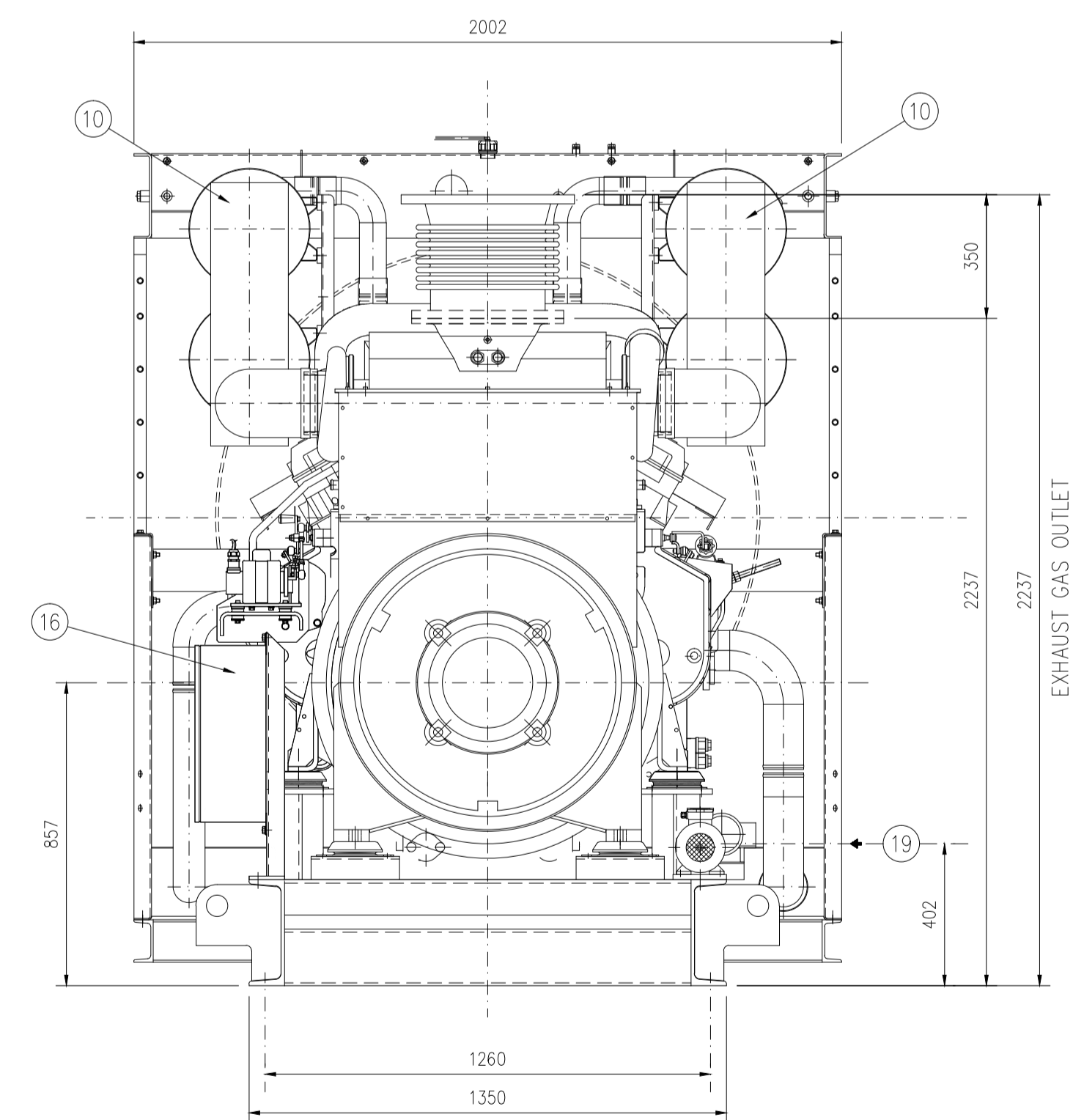
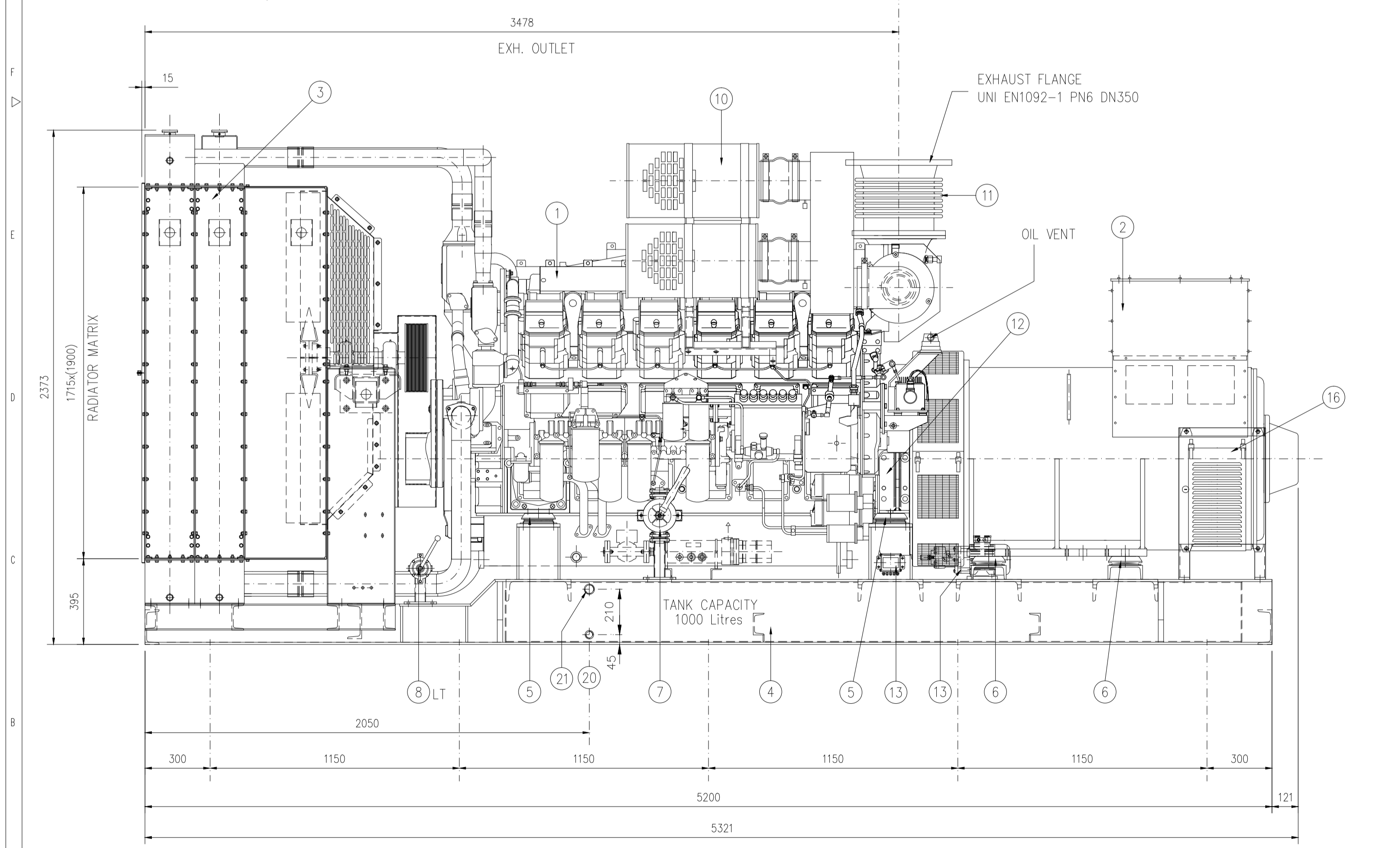
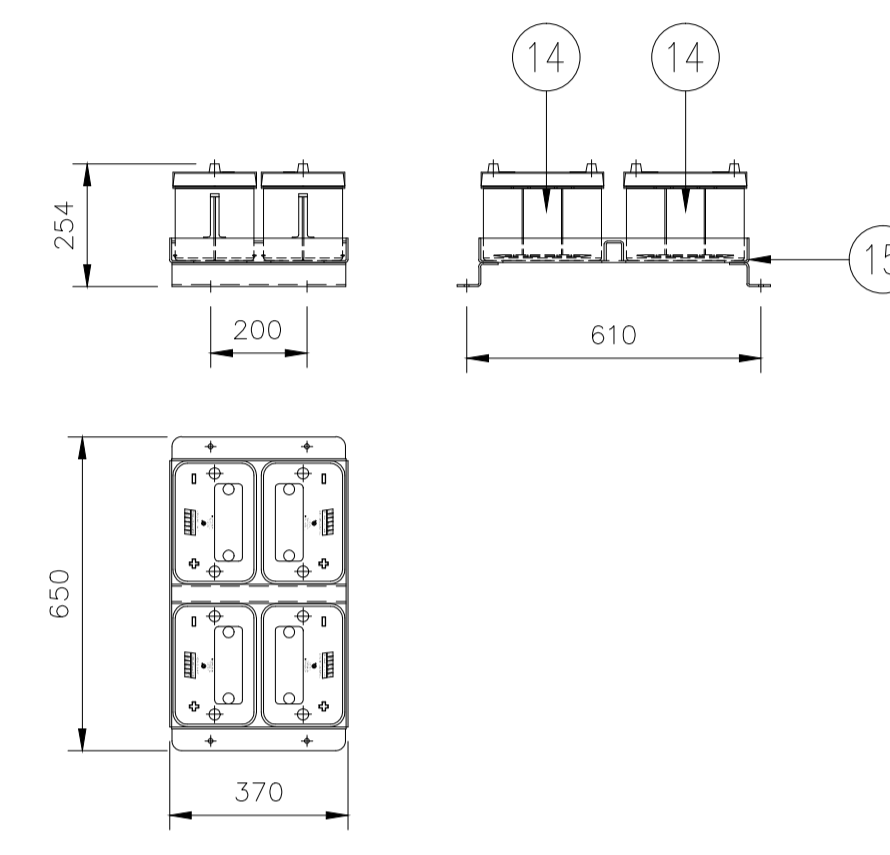


14 15 STARTING BATTERIES RT4.2 OPTIMA 50A/h8020-250 WEIGHT 80Kg.



ITEM	DESCRIPTION	QTY	CODE
1	DIESEL ENGINE MITSUBISHI S12R-F1PTAW2	1	S12RF1PTAW2
2	ALTERNATOR STAMFORD P734-D	1	P734D
3	ENGINE RADIATOR TECNOGROUP MTS0030R1	1	MTS0030R1
4	TANKBASE REF. DWG. No.7987-B-200-0	1	DIS7987B2000
5	ANTIVIBRATION MOUNTING MECANOCAUCHO AMC type BSB 160-C60	4	-
6	ANTIVIBRATION MOUNTING MECANOCAUCHO AMC type BSB 150-C50	4	-
7	OIL HAND PUMP 1"	1	0041K2
8	RADIATOR WATER REFILLING PUMP 1/2"	1	E00GB
9	WATER HEATER 400Vac 50Hz. 6000W 3ph+CIRCULATING PUMP 240V. KIM HOTSTART	1	36ACOMP
10	ENGINE AIR FILTER KIT DWG. No. CTM0061-0	1	KMFAS12RF1
11	EXHAUST BELLOWS DN.350 h.350 1FL	1	COMPDN350
12	ENGINE REAR FOOT-LEFT SIDE	1	CTM0053
13	SAFETY RELAY	1	MITSUBISHI
14	STARTING BATTERIES OPTIMA RT4.2 50A/h8020-250	4	RT42
15	BATTERIES SUPPORT DWG. No.CTM0040-1	1	CTM00400
16	TERMINAL BOX	1	ZAD9314
17	EXHAUST GAS SILENCER SRA DN.350	1	SILSRA350
18	FUEL ELECTRIC TRANSFERT PUMP 3/4"	1	BCF15
19	CONN. 3/4" - FILLING THE TANK 1000litres	1	-
20	CONN. 1" - FUEL DRAIN TANK (ON BOTH SIDES)	1	-
21	CONN. 1 1/4" - OVERFLOW (ON BOTH SIDES)	1	-

PAINTING: MUNSEL 75B6/1.5

(A) WEIGHT (WITH WATER & OIL): Kg.12.220

DYNAMIC LOAD: ±620Kg.

WEIGHT MAIN ITEMS

ENGINE (WITH WATER & OIL): Kg.5700

RADIATOR (WITH WATER): Kg.1700

ALTERNATOR: Kg.3020

CONTROL BOARD: Kg.400

(A) BASETANK: Kg.1400

(A) WITHOUT ADDITIONAL FUEL WEIGHT 850Kg.

REV.	DESCRIPTION	BY	DATE	APPROVED
0	FIRST ISSUE	A.N.	27-03-2015	

TOLERANCES EXCEPT WHERE OTHERWISE STATED  
 0 - 500mm: ± 1mm.  
 500 - 2000mm: ± 2mm.  
 OVER 2000mm: ± 3mm.  
 STRUCTURAL: ± 3mm.  
 ANGULAR: ± 0.5 °

**compagnia tecnica motori**  
 Compagnia Tecnica Motori S.p.a.  
 I-20090 Cesana Boscone (Milano)  
 Via Magellano, 1  
 Telefono 02/450391 (20 linee r.a.)  
 Telefax 02/45058260 - 02/45058262  
 e-mail: ctm@ctm.it

THIS DRAWING AND THE DESIGN SHOWN ARE THE PROPERTY OF C.T.M. S.p.a. AND MUST NOT BE USED OR COPIED WITHOUT THEIR PERMISSION  
 ALL DIMENSIONS IN MILLIMETERS UNLESS OTHERWISE STATED

DRN. BY: A.N.  
 DATE: 27-03-2015  
 APPD. BY:  
 DATE:

TITLE: G.A. OF GENSET MODEL M.1500 OPEN VERSION  
 SHEET SIZE: A1  
 ORIGINAL SCALE: 1:15  
 DRAWING N°: CTM-C-300  
 REV.: 0

DO NOT SCALE

3rd ANGLE PROJECTION