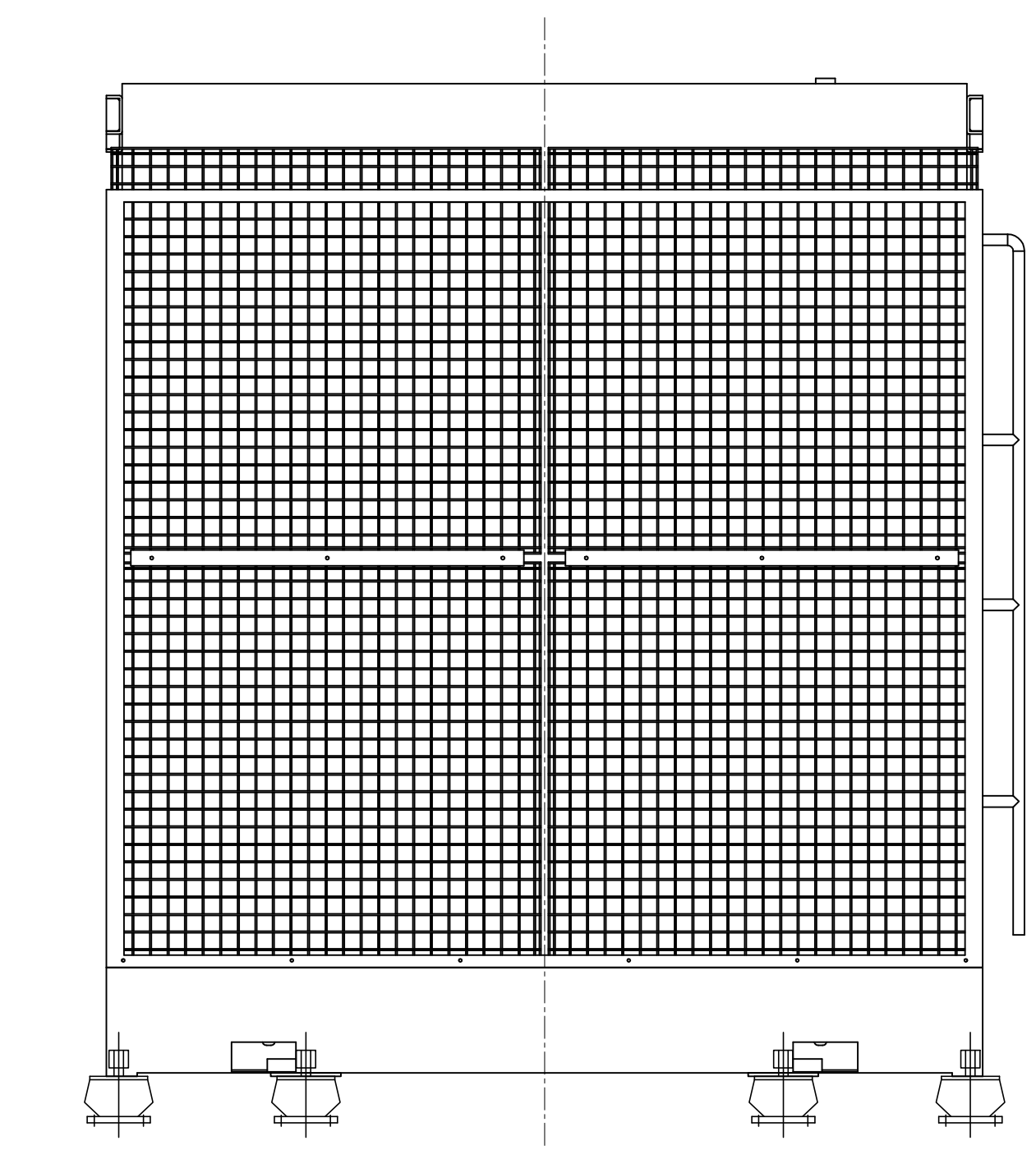
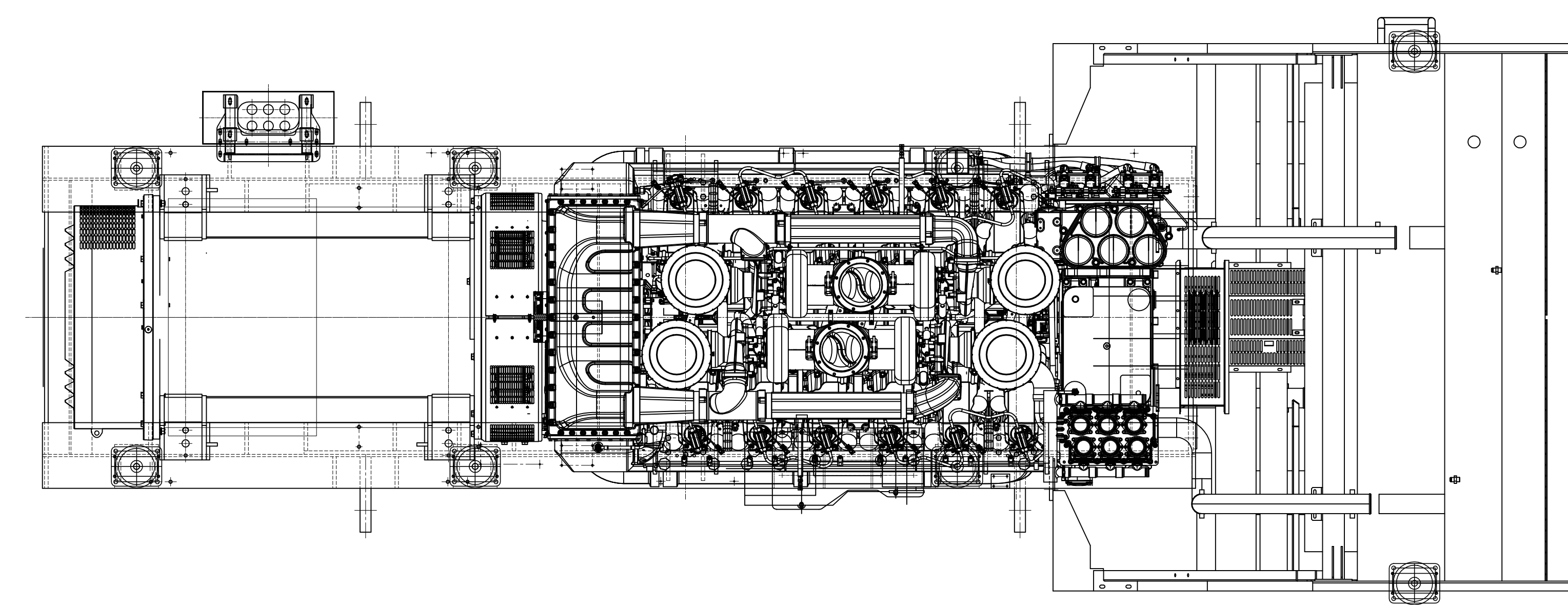
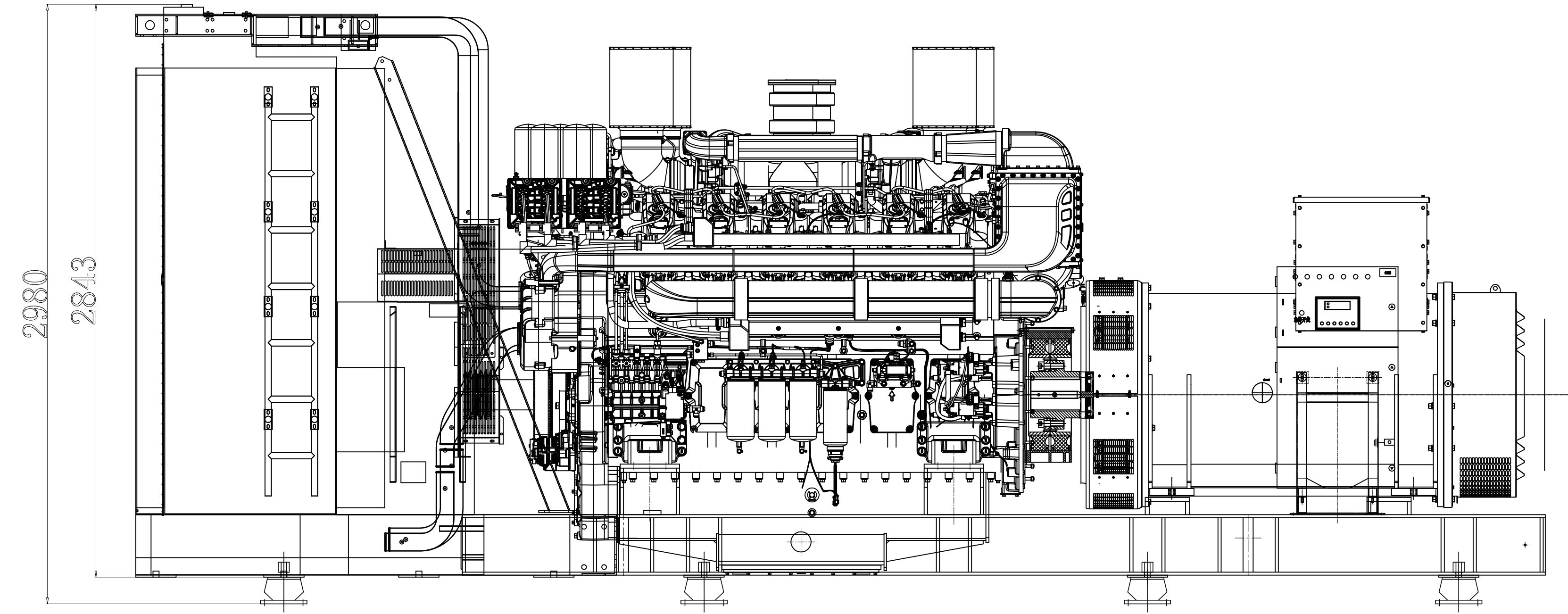
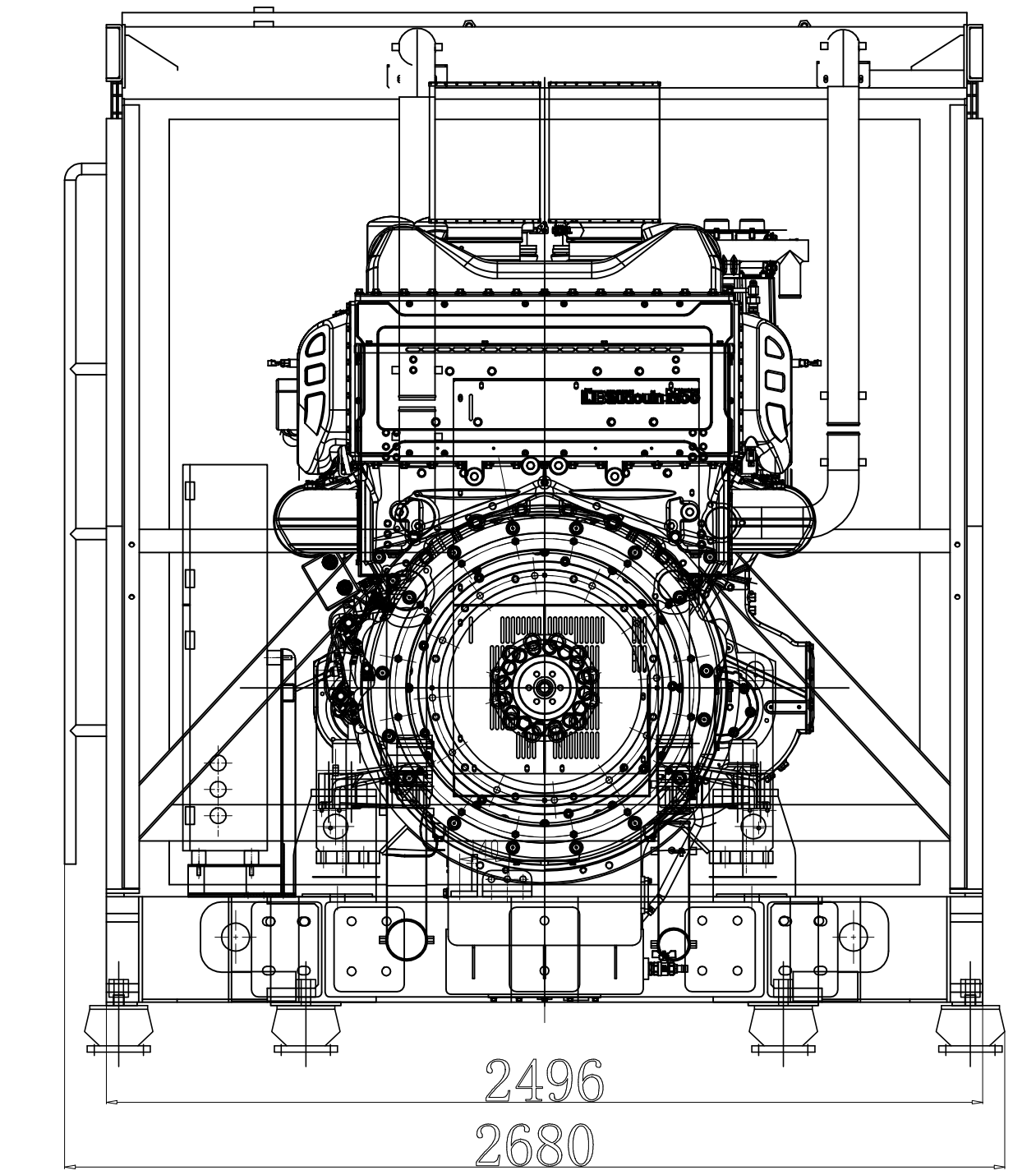
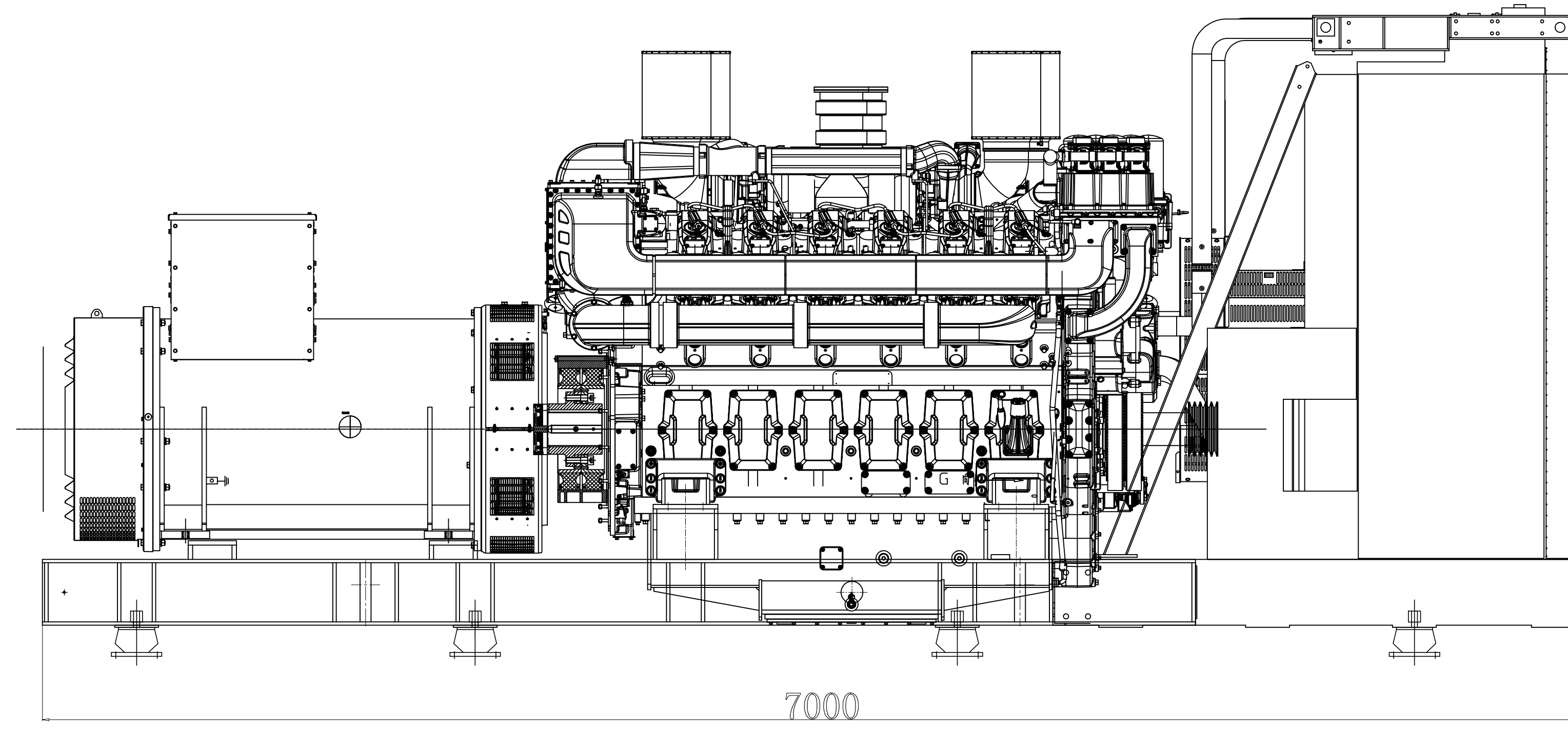


本图纸属于企业商业秘密。潍柴拥有并保留本图纸及其所包含技术的所有权利！禁止通过任何方式处置、复制、散布或利用本图纸。  
 This drawing is confidential. The drawing and its technology are all owned by Weichai, all rights reserved!  
 Any disposal, reproduction, distribution or utilization of this drawing is prohibited.

Creo



|                         |             |                  |                 |            |  |                              |  |
|-------------------------|-------------|------------------|-----------------|------------|--|------------------------------|--|
|                         |             |                  |                 | 名称Name     |  | 图号Drawing No.                |  |
|                         |             |                  |                 | 机组外形图      |  | 状态/State 幅面/Format 重量/Weight |  |
|                         |             |                  |                 |            |  | A3 21300kg                   |  |
|                         |             |                  |                 | 材料Material |  | 页码Sheet/Of 1/1 比例/Scale 1:1  |  |
|                         |             |                  |                 |            |  | 投影法 Projection Method        |  |
|                         |             |                  |                 |            |  | WEICHAI<br>潍柴                |  |
| 标记<br>sign              | 处数<br>Amou. | 更改文件<br>Document | 签字<br>Signature | 日期<br>Date |  |                              |  |
| 设计/绘图<br>Designed/Drawn |             |                  | 工艺<br>Tech.     |            |  |                              |  |
| 质量<br>Quality           |             |                  | 标准化<br>Stand.   |            |  |                              |  |
| 校对<br>Corrected         |             |                  | 批准<br>Approved  |            |  |                              |  |
| 审核<br>Examined          |             |                  | 日期<br>Date      |            |  |                              |  |