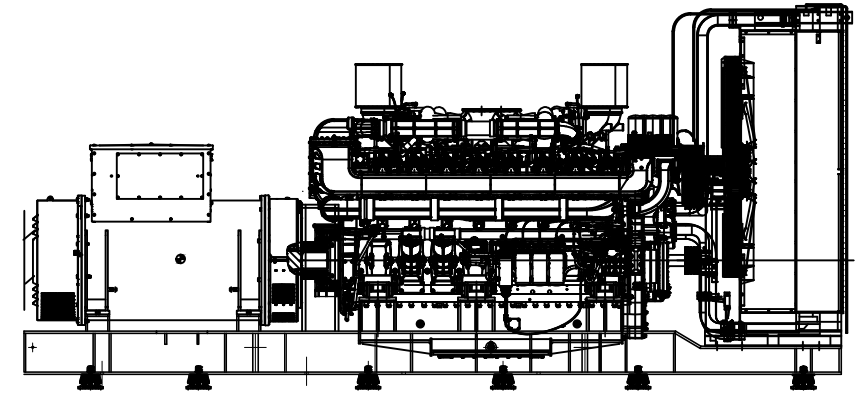
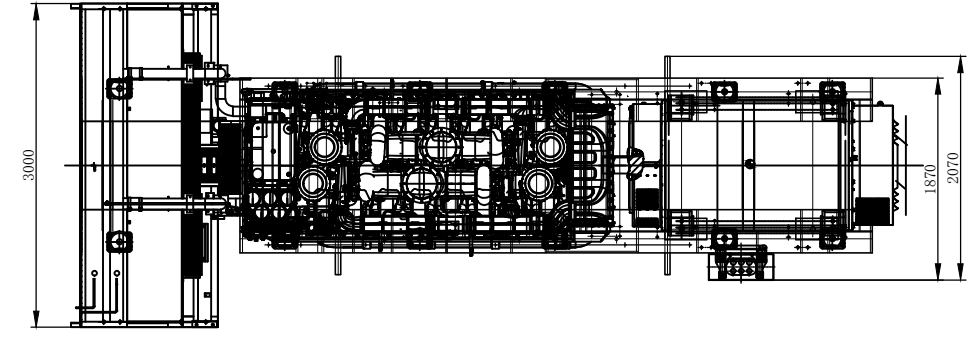
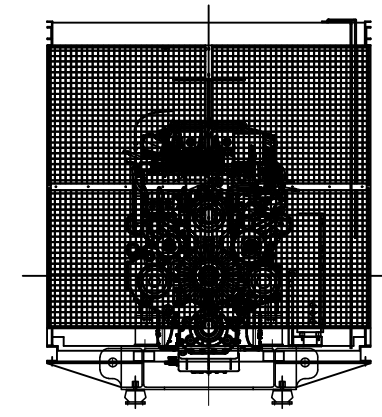
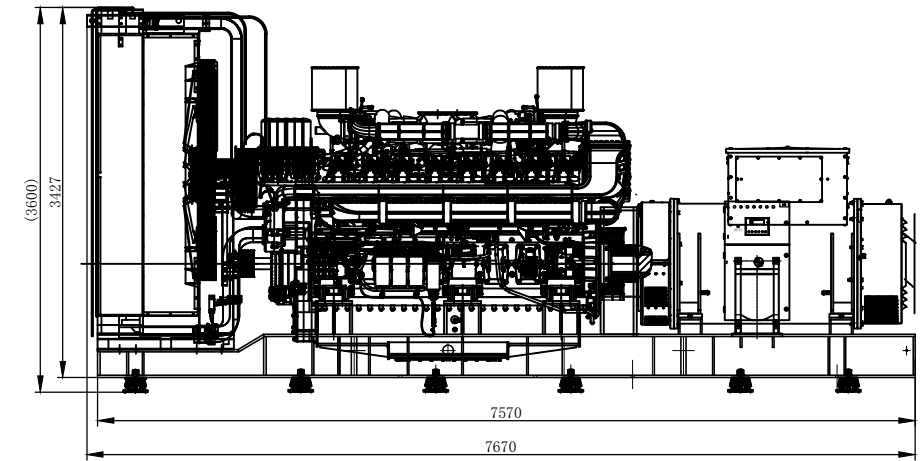
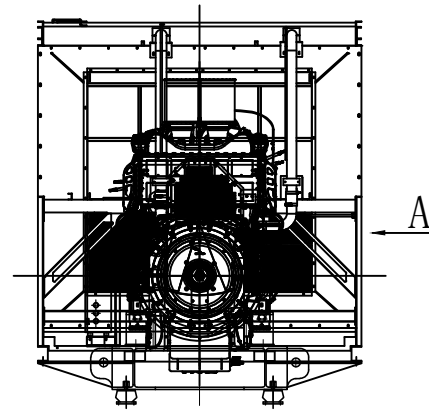


本图纸属于企业商业秘密。潍柴拥有并保留本图纸及其所包含技术的所有权利！禁止通过任何方式处置、复制、散布或利用本图纸。
 This drawing is confidential. The drawing and its technology are all owned by Weichai, all rights reserved!
 Any disposal, reproduction, distribution or utilization of this drawing is prohibited.

Creo



A

				名称Name		图号Drawing No.		
				WPG3300B7				
标记 sign	处数 Amou.	更改文件 Document	签字 Signature			日期 Date	状态/State	幅面/Format
						A3		26200 kg
设计/绘图 Designed/Drawn		工艺 Tech.				页码Sheet/Of		比例/Scale DRAWING SCALE
质量 Quality		标准化 Stand.		材料Material		投影法 Projection Method		
校对 Corrected		批准 Approved						
审核 Examined		日期 Date						
						 潍柴		